

Bobcat®

Parts Manual



ZT2000

9992001 KAW FR651V 21.5HP 42"SD

S/N 999200101015 & Above

9992001AU KAW FR651V 21.5HP 42"SD

S/N 999200190622 & Above

9992002 KAW FR651V 21.5HP 48"SD

S/N 999200202619 & Above

9992002AU KAW FR651V 21.5HP 48"SD

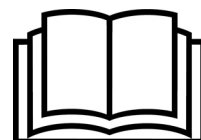
S/N 99920090744 & Above

9992003 KAW FR691V 23.5HP 52"SD

S/N 999200303182 & Above

9992003AU KAW FR691V 23.5HP 52"SD

S/N 999200390495 & Above



GENERAL INFORMATION

Before ordering parts, ALWAYS provide dealer with your product model number and complete serial number information. Before ordering parts, verify correct part numbers and / or serial numbers with your dealer. When using the machine serial number, use the complete number.

The number shown in the quantity column in this manual is the number of parts needed for the illustration on the page. For some parts, an “x” is shown in the quantity column. This “x” indicates that the quantity to be ordered / used is “As Needed”.

When references to LH (Left Hand) and RH (Right Hand) are used in this manual, they apply when an operator is situated in the operator’s seat in the operating position.

www.bobcat.com

Mower Serial Number En- _____
gine Serial Number _____


NOTES:

YOUR BOBCAT DEALER: _____

ADDRESS: _____

PHONE: _____

Example:

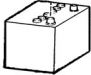

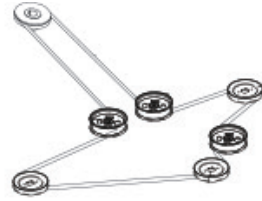


| | |
|---|--------------------------------------|
|  | |
| Model 9997010 | Serial Number 999701000050 |
| Bobcat Company West Fargo, ND 58078 USA | |

MODEL NUMBER: This number appears on sales literature, technical manuals and price lists.

SERIAL NUMBER: This number appears only on your unit. It contains the model number followed consecutively by the serial number. Use this number when ordering parts or seeking warranty information. Located under seat plate on frame of unit.

| TABLE OF CONTENTS | FIGURE | PAGE |
|--|---------------------|-------------|
| REGULAR MAINTENANCE ITEMS & ACCESSORIES | | 2 |
| GENERAL SAFETY INFORMATION | | 3 |
| FRAME / ENGINE & CLUTCH ASSEMBLY | FIGURE 1 | 4-5 |
| TRANSAXLE ASSEMBLY | FIGURE 2 | 6-7 |
| FUEL TANKS AND BUMPER | FIGURE 3 | 8-9 |
| CONTROL PANEL | FIGURE 4 | 10-11 |
| DECK LIFT ASSEMBLY | FIGURE 5 | 12-13 |
| FOOTPLATE & CASTER ASSEMBLY | FIGURE 6 | 14-15 |
| SEAT ASSEMBLY | FIGURE 7 | 16-17 |
| STEERING ASSEMBLY | FIGURE 8 | 18-19 |
| PARKING BRAKE ASSEMBLY | FIGURE 9 | 20-21 |
| WIRE HARNESS | FIGURE 10 | 22-23 |
| 42" SIDE DISCHARGE DECK ASSEMBLY | FIGURE 11 | 24-25 |
| 48" SIDE DISCHARGE DECK ASSEMBLY | FIGURE 12 | 26-27 |
| 52" SIDE DISCHARGE DECK ASSEMBLY | FIGURE 13 | 28-29 |
| 42" CHUTE, BAFFLES, EDGES AND DECK LINKS | FIGURE 14 | 30-31 |
| 48" & 52" CHUTE, BAFFLES, EDGES AND DECK LINKS | FIGURE 15 | 32-33 |
| DECALS | FIGURE 16 | 34-35 |
| DECALS | FIGURE 17 | 36-37 |

REGULAR MAINTENANCE ITEMS

| | |
|--|---|
|  <p>BATTERY 4171099 An AGM battery charger is required (4171973)</p> |  <p>TRANSAXLE FILTER 4142045-06</p> |
|  <p>DECK BELT 9992001 4171677 9992002 4169566 9992003 4169640</p> |  <p>DECK BLADE 9992001 112111-03 9992002 112111-01 9992003 112111-02</p> |
|  <p>DRIVE BELT 4168621</p> | |
| <p>ENGINE OIL 7354875 SAE 10W30 CK-4/SN (1 qt)</p> | <p>TRANSAXLE OIL 7354882 - 2 gallon SAE 15w40 CE/SG (2 qt per transaxle)</p> |

NOTE: Contact your Bobcat dealer for engine and engine parts replacements.

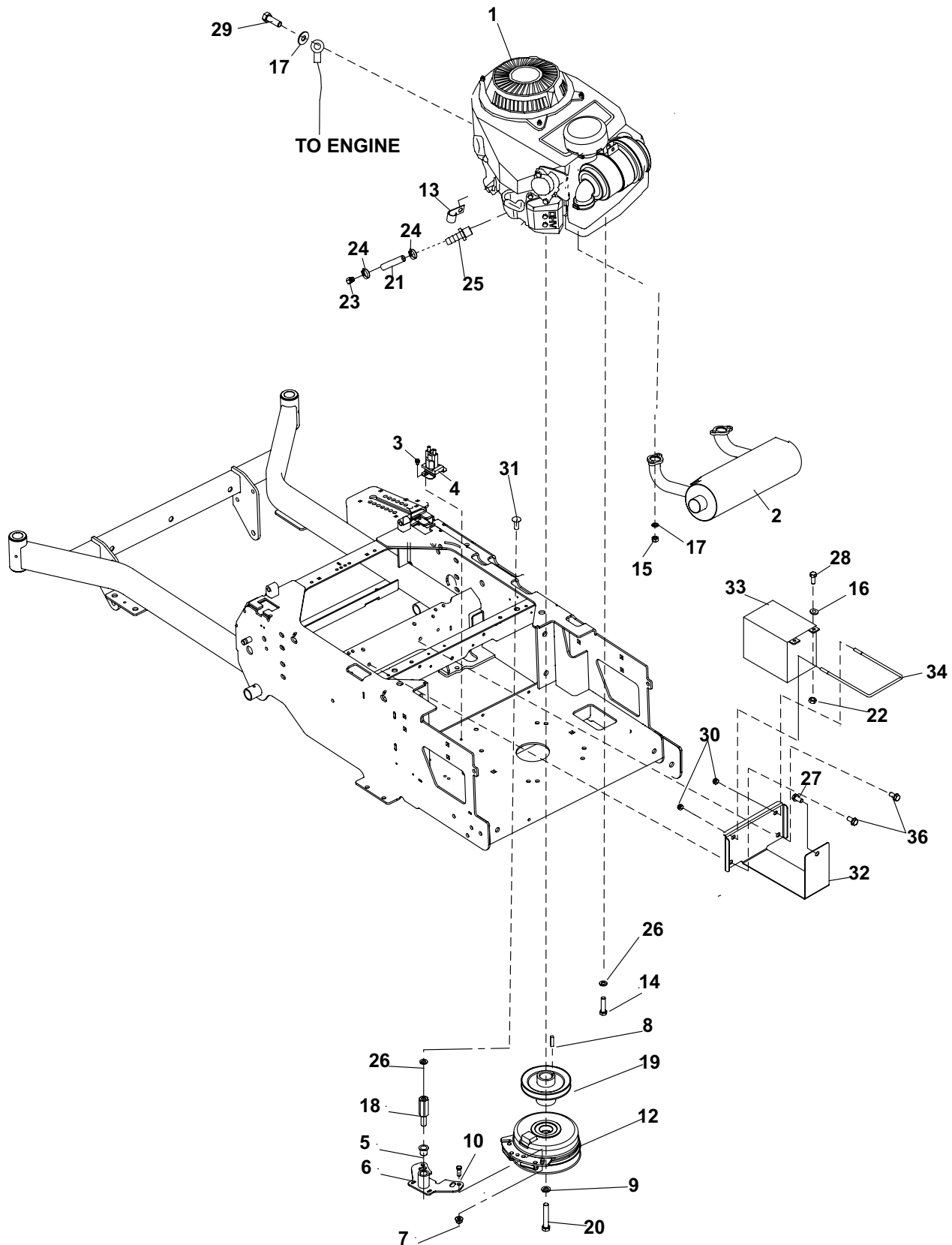
NOTE: Always verify Part Numbers with your Bobcat dealer.

ACCESSORIES

- Magnetic Light & 12V
- ECO Plate
- Mulching Kit
- Striping Kit
- 3.75 & 5 Bushel poly side bag
- Hitch Kit
- Suspension Kit

FRAME-ENGINE/CLUTCH ASSY

FIGURE 1



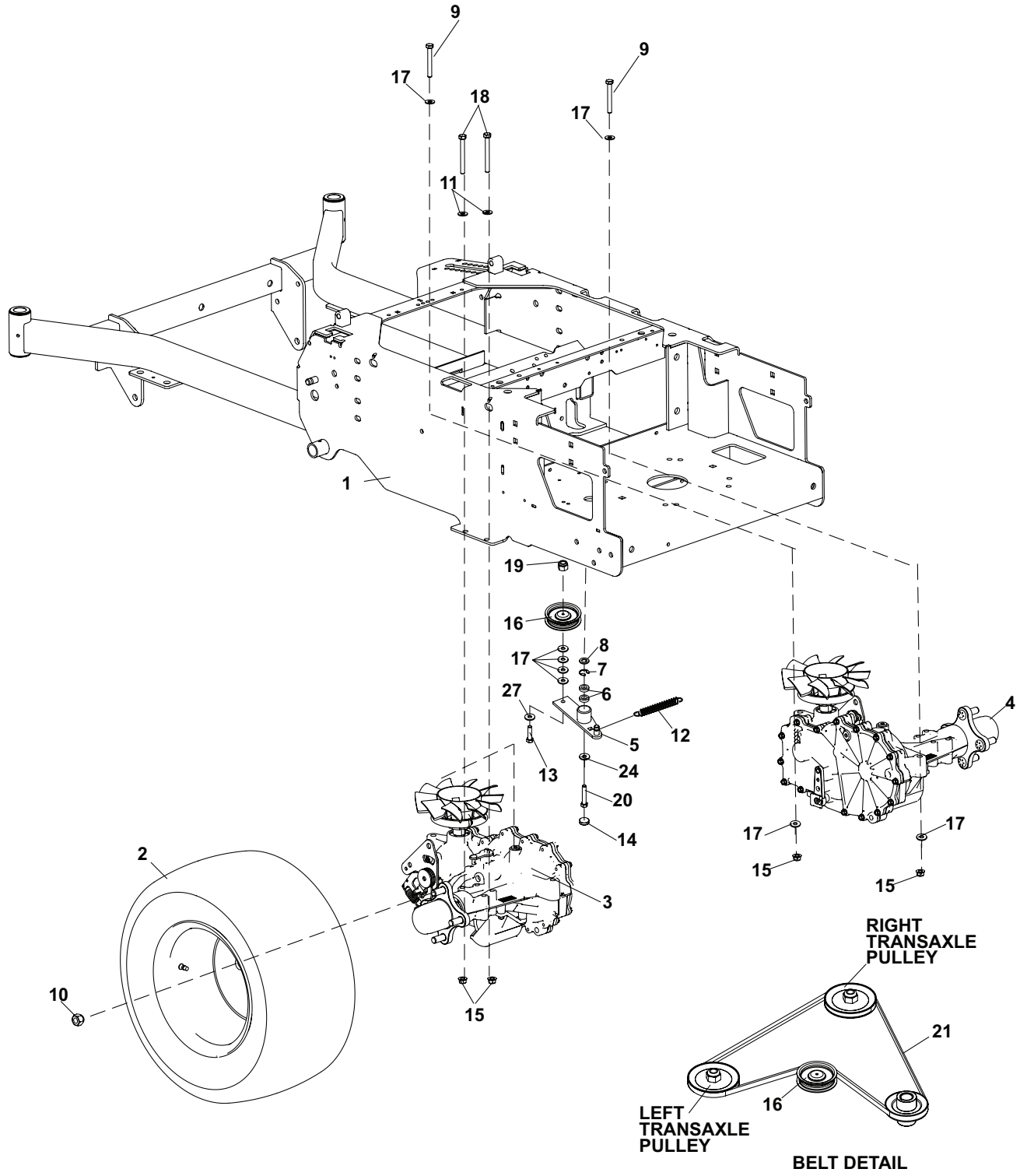
FRAME-ENGINE/CLUTCH ASSY

FIGURE 1

| ITM | PART NO. | DESCRIPTION | QTY | ITM | PART NO. | DESCRIPTION | QTY |
|-----|-------------|----------------------------|-----|-----|----------|-------------|-----|
| 1 | 4166966 | ENGINE-FR651V KAW | 1 | | | | |
| | 4166965 | ENGINE-FR691V KAW | 1 | | | | |
| 2 | 4175106 | MUFFLER -KAW | 1 | | | | |
| 3 | 64152-23 | 1/4-20X3/8 LG SP SCREW | 2 | | | | |
| 4 | 38665 | SOLENOID | 1 | | | | |
| 5 | 38304-03 | BRG-FLANGED PLASTIC | 1 | | | | |
| 6 | 4173452.46 | WLDMT-CLUTCH STOP | 1 | | | | |
| 7 | 64268-02 | NUT-FL NYLON LOCK 5/16-18 | 2 | | | | |
| 8 | 64164-12 | KEY-1/4X1/4X1 SQ END | 1 | | | | |
| 9 | 64006-06 | LOCKWASHER-HEL 7/16 | 1 | | | | |
| 10 | 64123-54 | BLT-HEX 5/16-18X3/4 | 2 | | | | |
| 11 | 4178925 | S-FRAME , 48" &52" | 1 | | | | |
| | 4178926 | S-FRAME, 42" | | | | | |
| 12 | 4168068 | CLUTCH-ENGINE PULLEY | 1 | | | | |
| 13 | 48412-01 | CLAMP | 1 | | | | |
| 14 | 64123-70 | BLT-HEX 3/8-16X1-1/2 | 4 | | | | |
| 15 | 64207-01 | NUT-HEX M8-1.25 | 4 | | | | |
| 16 | 64163-03 | WSHR .256ID X.62OD X 18 GA | 2 | | | | |
| 17 | 64006-01 | LOCKWASHER-1/4 HELICAL | 5 | | | | |
| 18 | 4169106 | PIN-CLUTCH | 1 | | | | |
| 19 | 4168618 | PULLEY-ENGINE | 1 | | | | |
| 20 | 64123-78 | BLT-HEX 7/16-20X2-1/2 | 1 | | | | |
| 21 | 69053-05 | HOSE, HYDRAULIC 12" | 1 | | | | |
| 22 | 64025-01 | NUT-HEX 1/4-20 | 2 | | | | |
| 23 | 4164251 | VALVE-OIL DRAIN | 1 | | | | |
| 24 | 88042-01 | CLAMP-HOSE 7/16 | 2 | | | | |
| 25 | 4164252-001 | FITTING-3/8NP TO BARB | 1 | | | | |
| 26 | 64006-03 | LOCKWSHR-3/8 HELICAL | 5 | | | | |
| 27 | 64197-022 | BLT-TDFM 3/8-16X3/4 | 3 | | | | |
| 28 | 64262-002 | BLT-FLG HD 1/4-20 X 3/4 | 2 | | | | |
| 29 | 64263-007 | BLT-FLG HD M8-1.25 X 20 | 7 | | | | |
| 30 | 64268-02 | NUT-FL NYLON LOCK 5/16-18 | 2 | | | | |
| 31 | 64018-44 | BLT-CRG 3/8-16 X 1 | 1 | | | | |
| 32 | 4167258.46 | TRAY-BATTERY | 1 | | | | |
| 33 | 4171099 | BATTERY | 1 | | | | |
| * | 4171973 | CHARGER-BATTERY, AGM | | | | | |
| 34 | 4167239 | ROD-BATTERY CLAMP | 1 | | | | |

TRANSAXLE ASSY

FIGURE 2



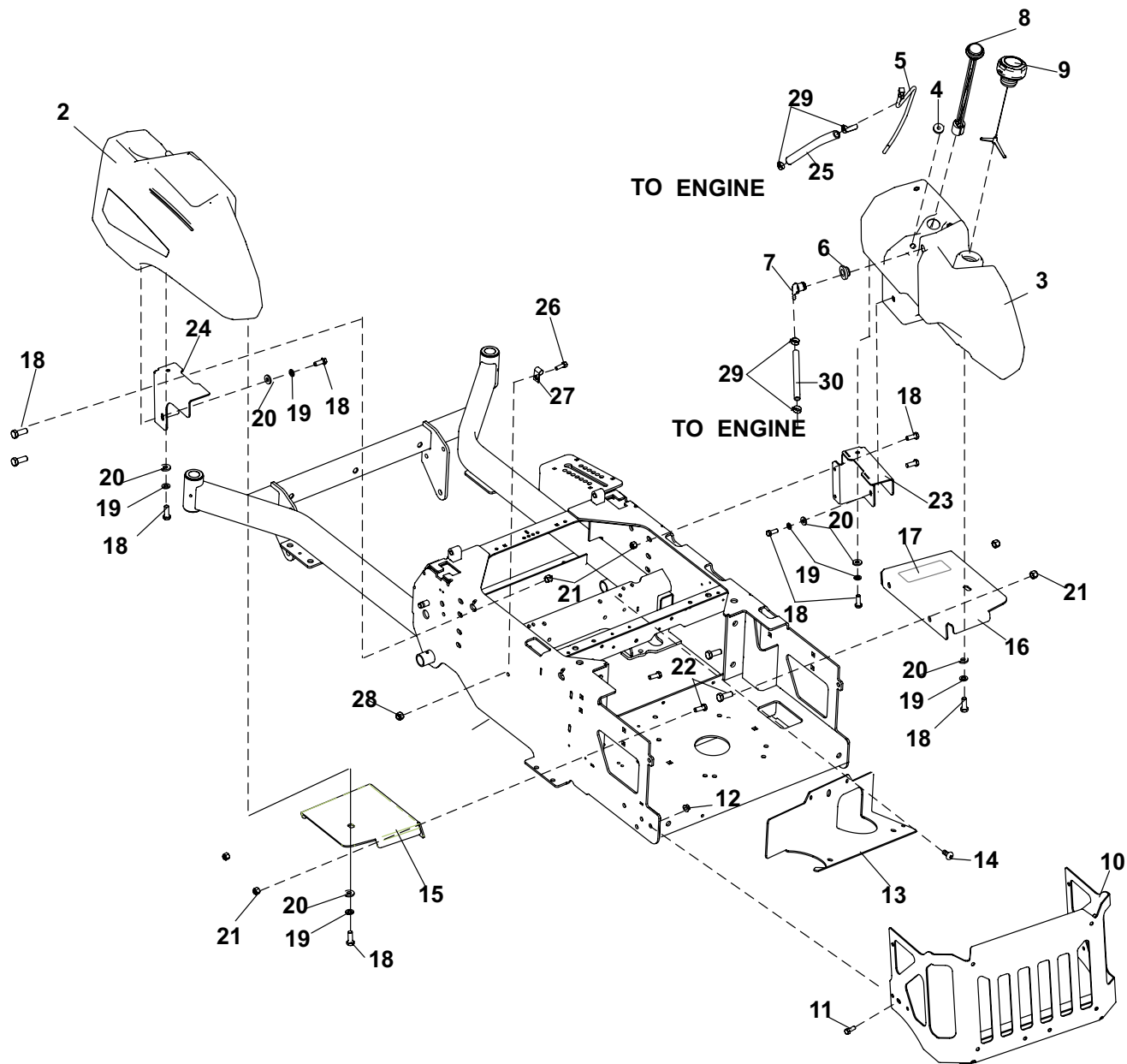
TRANSAXLE ASSY

FIGURE 2

| ITM | PART NO. | DESCRIPTION | QTY | ITM | PART NO. | DESCRIPTION | QTY |
|-----|------------|--|--|--------------------------------|----------|-------------|-----|
| 1 | 4178925 | S-FRAME , 48" &52" W/ LBLS | | | | | |
| | 4178926 | S-FRAME, 42" W/LBLS | | | | | |
| 2 | 4178665 | ASSY-WHEEL 20X10-10 | 2 | | | | |
| | 4173995-01 | TIRE-20X10 PLYOTR ZT | | | | | |
| | 4178665-01 | RIM 10 X 7 ORANGE (USED ON 48" & 52" DECK MODELS) | | | | | |
| | 4179537 | ASSY-WHEEL, 20 X 8-10 | 2 | | | | |
| | 4179537-01 | RIM- 10X7 ORANGE | | | | | |
| | 4172518-01 | TIRE-20X8-10 OTR ZT (USED ON 42" DECK MODELS) | | | | | |
| * | 970438 | KIT-WHEEL HUB PULLER | | | | | |
| 3 | 7444393 | TRANSAXLE-LH (INCLUDES 22, 23, 25, 26-28) | 1 | | | | |
| 4 | 7444394 | TRANSAXLE-RH (INCLUDES 22, 23, 25, 26-28) | 1 | | | | |
| 5 | 4178854 | S-ASY, IDLER ARM PUMP (INCLUDES 6-8) | 1 | | | | |
| 6 | 4128004 | BEARING-BALL 10X26X8 | 2 | | | | |
| 7 | 64144-40 | SNAP RING-26MM INTERNAL | 1 | | | | |
| 8 | 4128000 | SEAL-16X26X7 | 1 | | | | |
| 9 | 64123-88 | BLT-HEX 3/8-16X2-3/4 | 4 | | | | |
| 10 | 64187-03 | NUT-WHEEL | 8 | | | | |
| 11 | 64163-55 | WASHER .328X.75X14 GA | 8 | | | | |
| 12 | 4164128 | SPRING-TENSION | 1 | | | | |
| 13 | 64123-67 | BLT-HEX 3/8-16 X 2 | 1 | | | | |
| 14 | 4128001 | END CAP-24 X 7 | 1 | | | | |
| 15 | 64268-02 | NUT-FL NYLON LOCK 5/16-18 | 8 | | | | |
| 16 | 2228016 | PULLEY-IDLER PUMP | 1 | | | | |
| 17 | 64163-31 | WASHER, 25/64X1X12 | 8 | | | | |
| 18 | 64123-55 | BLT-HEX 5/16-18X3 | 4 | | | | |
| 19 | 64268-03 | NUT-FL NYLON LOCK 3/8-16 | 1 | | | | |
| 20 | 64270-01 | BOLT-MET, HEX M10-1.5x30 | 1 | | | | |
| 21 | 4168621 | BELT-TRANSAXLE | 1 | | | | |
| 22* | 4168166-04 | KIT-ARM CONTROL, LH | 1 | | | | |
| 23* | 4168167-03 | KIT-ARM CONTROL, RH | 1 | | | | |
| 24 | 64163-61 | WSHR .81X.406X16GA | 1 | | | | |
| 25* | 4179509 | KIT, FAN/PULLEY TRANSAXLE | 1 | | | | |
| | | | | TRANSAXLE SERVICE PARTS | | | |
| | 26* | 4142045-06 | FILTER-TRANSAXLE | 2 | | | |
| | 27* | 4168166-02 | SPRING-CONTROL ARM | 2 | | | |
| | 28* | 4163820 | ARM-BRAKE | 2 | | | |
| | | 4164862 | CLIP-RETAINING (USE WITH BRAKE ARM) | 2 | | | |
| | | | | * NOT ILLUSTRATED | | | |

FUEL TANKS & BUMPER

FIGURE 3



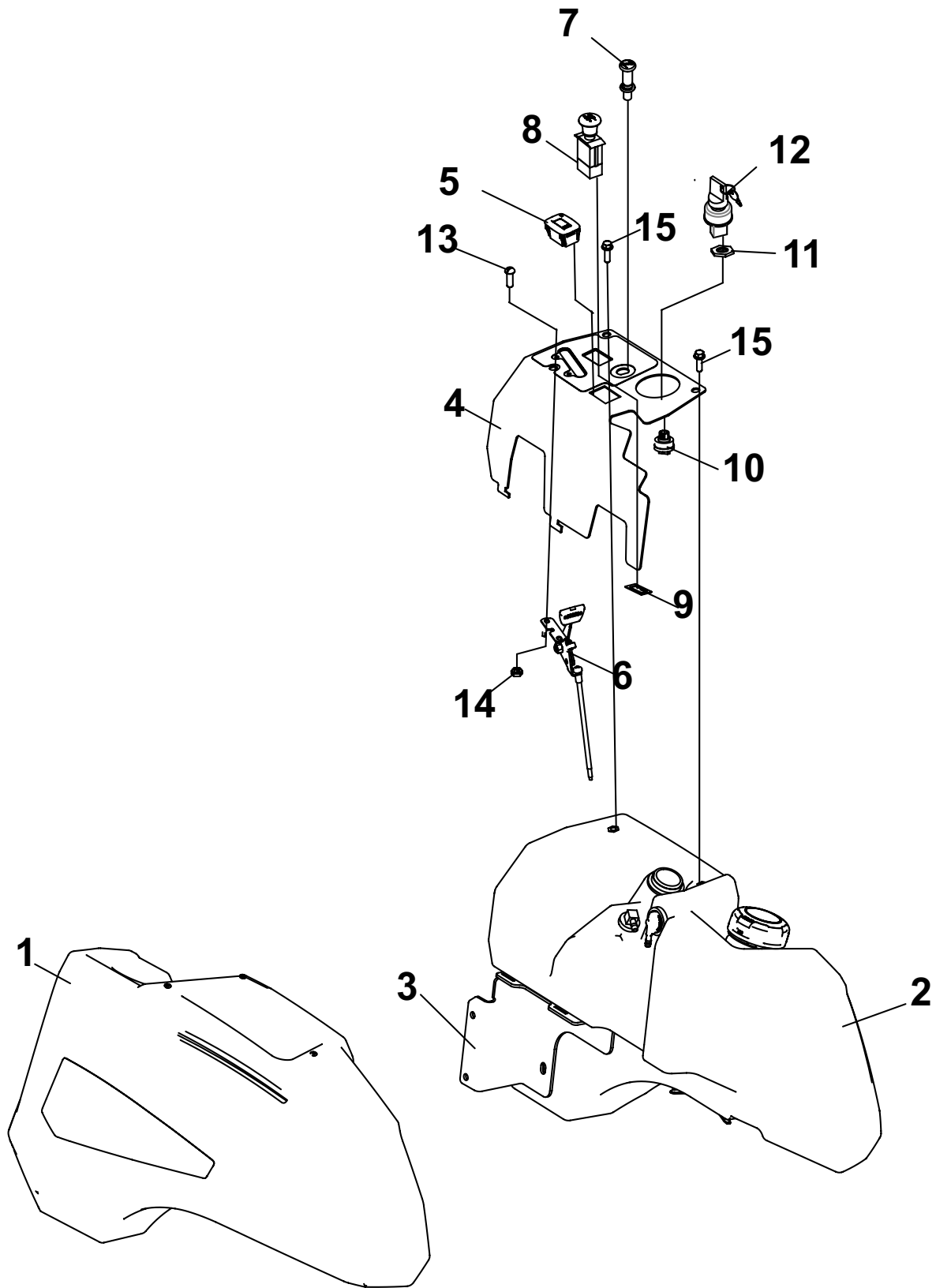
FUEL TANKS & BUMPER

FIGURE 3

| ITM | PART NO. | DESCRIPTION | QTY | ITM | PART NO. | DESCRIPTION | QTY |
|-----|-------------|----------------------------|-----|-----|----------|-------------|-----|
| 1 | 4178925 | S-FRAME , 48" &52" W/ LBLS | 1 | | | | |
| | 4178926 | S-FRAME, 42" W/LBLS | 1 | | | | |
| 2 | 4178956 | S-LH FENDER,W/LABEL R | 1 | | | | |
| 3 | 4178951 | S-RH TANK,W/LABEL RES | 1 | | | | |
| | | INCLUDES ITEMS 4-8 | | | | | |
| 4 | 4132325 | GROMMET-FUEL TANK | 1 | | | | |
| 5 | 4178510-1 | TUBE-FUEL PICK-UP | 1 | | | | |
| 6 | 417434 | GROMMET-ROLL OVER | 1 | | | | |
| 7 | 4165763 | ROLLOVER VENT | 1 | | | | |
| 8 | 4178510-2 | GAUGE-FUEL ANALOG | 1 | | | | |
| 9 | 4178765 | CAP-FUEL TANK | 1 | | | | |
| 10 | 4179464 | BUMPER-REAR | 1 | | | | |
| 11 | 64262-011 | BLT-FLG HD 3/8-16 X 3/4 | 4 | | | | |
| 12 | 64268-03 | NUT-FL NYLON LOCK 3/8-16 | 4 | | | | |
| 13 | 4174731.46 | COVER-FRAME, REAR | 1 | | | | |
| 14 | 64152-23 | SCREW-SP 1/4-20X3/8 | 2 | | | | |
| 15 | 4179322.45 | BRACKET-RH | 1 | | | | |
| 16 | 4179323.45 | BRACKET-LH | 1 | | | | |
| 17 | 2000570 | LABEL- WARN FUEL PICT | 1 | | | | |
| 18 | 64123-68 | BLT-HEX 5/16-18X1 | 4 | | | | |
| 19 | 64006-03 | WASHER-3/8 | 8 | | | | |
| 20 | 64163-29 | WSHR-21/64 X 1 X 11GA | 6 | | | | |
| 21 | 64229-03 | NUT-NYLON LOCK 3/16-18 | 8 | | | | |
| 22 | 64018-44 | BLT-CRG 3/8-16 X 1 | 4 | | | | |
| 23 | 4178844.45 | BRKT-TANK, SPACER, RH | 2 | | | | |
| 24 | 4178845.45 | BRKT-TANK, SPACER, LH | 2 | | | | |
| 25 | 4162977-001 | HOSE-1/4 FUEL LINE 25" | 1 | | | | |
| 26 | 64123-54 | BLT-HEX 5/16-18X3/4 | 2 | | | | |
| 27 | 48228-12 | CLIP-CABLE | 2 | | | | |
| 28 | 64229-02 | LOCKNUT-5/196-18 | 2 | | | | |
| 29 | 88042N | HOSE CLAMP | 4 | | | | |
| 30 | 4162977-001 | HOSE-FUEL LINE 31.5" | 1 | | | | |

CONTROL PANEL

FIGURE 4



CONTROL PANEL

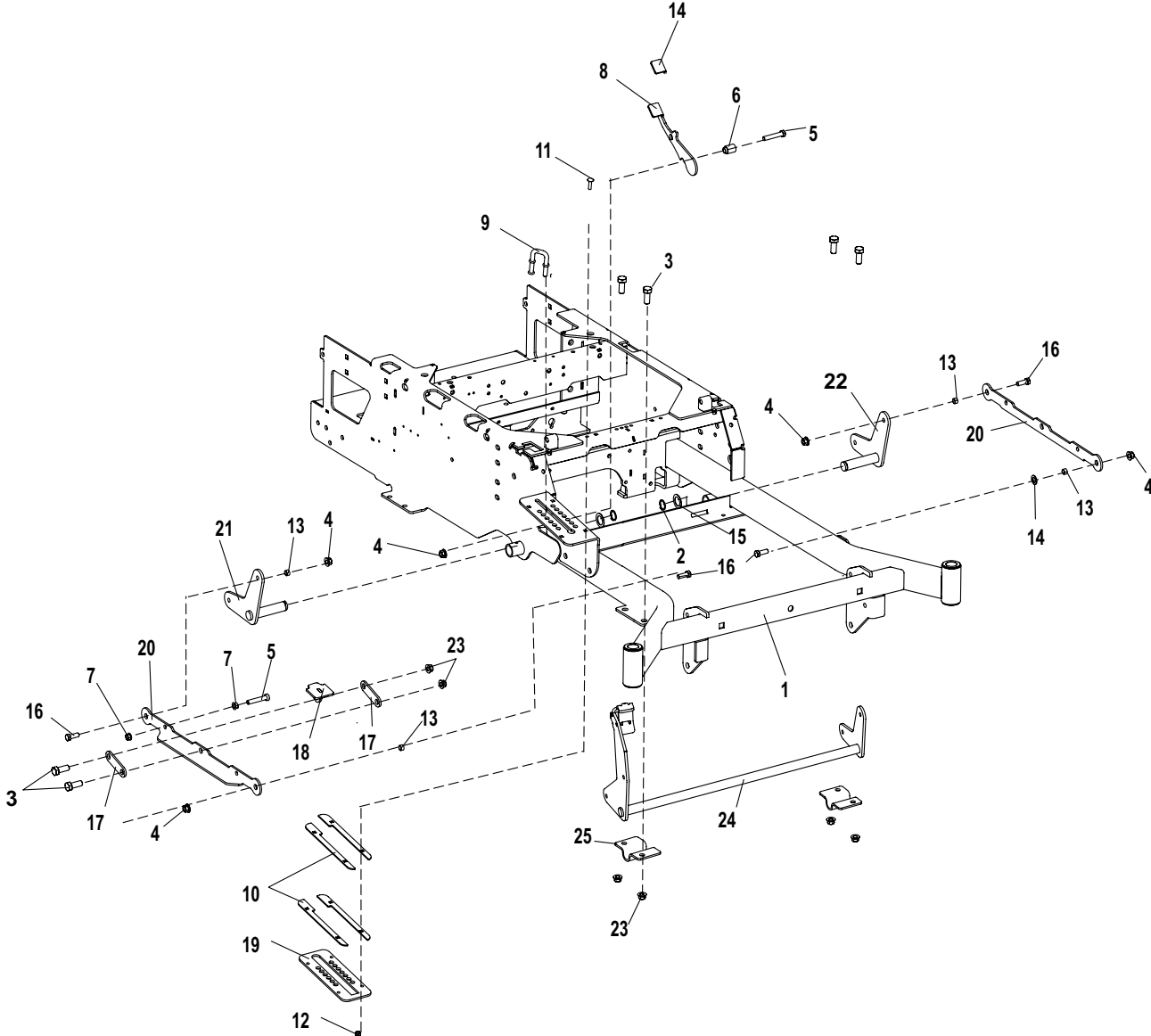
FIGURE 4

| ITM | PART NO. | DESCRIPTION | QTY | ITM | PART NO. | DESCRIPTION | QTY |
|-----|------------|-------------------------|-----|-----|----------|-------------|-----|
| 1 | 4178956 | S-LH FENDER,W/LABEL R | 1 | | | | |
| 2 | 4178951 | S-RH TANK,W/LABEL RES | 1 | | | | |
| 3 | 4178844.45 | BRKT-TANK, SPACER, RH | 2 | | | | |
| 4 | 4178929 | S-CONTROL PANEL | 1 | | | | |
| 5 | 4168452 | METER-HOUR | 1 | | | | |
| 6 | 118020-23 | CONTROL-THROTTLE | 1 | | | | |
| 7 | 108009-03 | CABLE-CHOKE 51 | 1 | | | | |
| 8 | 2721505 | SWITCH-PTO | 1 | | | | |
| 9 | 2188178 | SWITCH-RETAINER | 1 | | | | |
| 10 | 128010 | SWITCH, KEY | 1 | | | | |
| 11 | 128010-01 | S-KEY SWITCH NUT 5/8-32 | 1 | | | | |
| 12 | 128010-03 | S-COVERED KEY | 1 | | | | |
| 13 | 64152-46 | SCREW-SLT HH 10-24X1/2 | 2 | | | | |
| 14 | 64025-15 | NUT-HEX #10-24 KEPS | 2 | | | | |
| 15 | 64262-042 | BLT-FLG HD 5/16-18X1/2 | 2 | | | | |

*NOT ILLUSTRATED

DECK LIFT ASSEMBLY

FIGURE 5



DECK LIFT ASSEMBLY

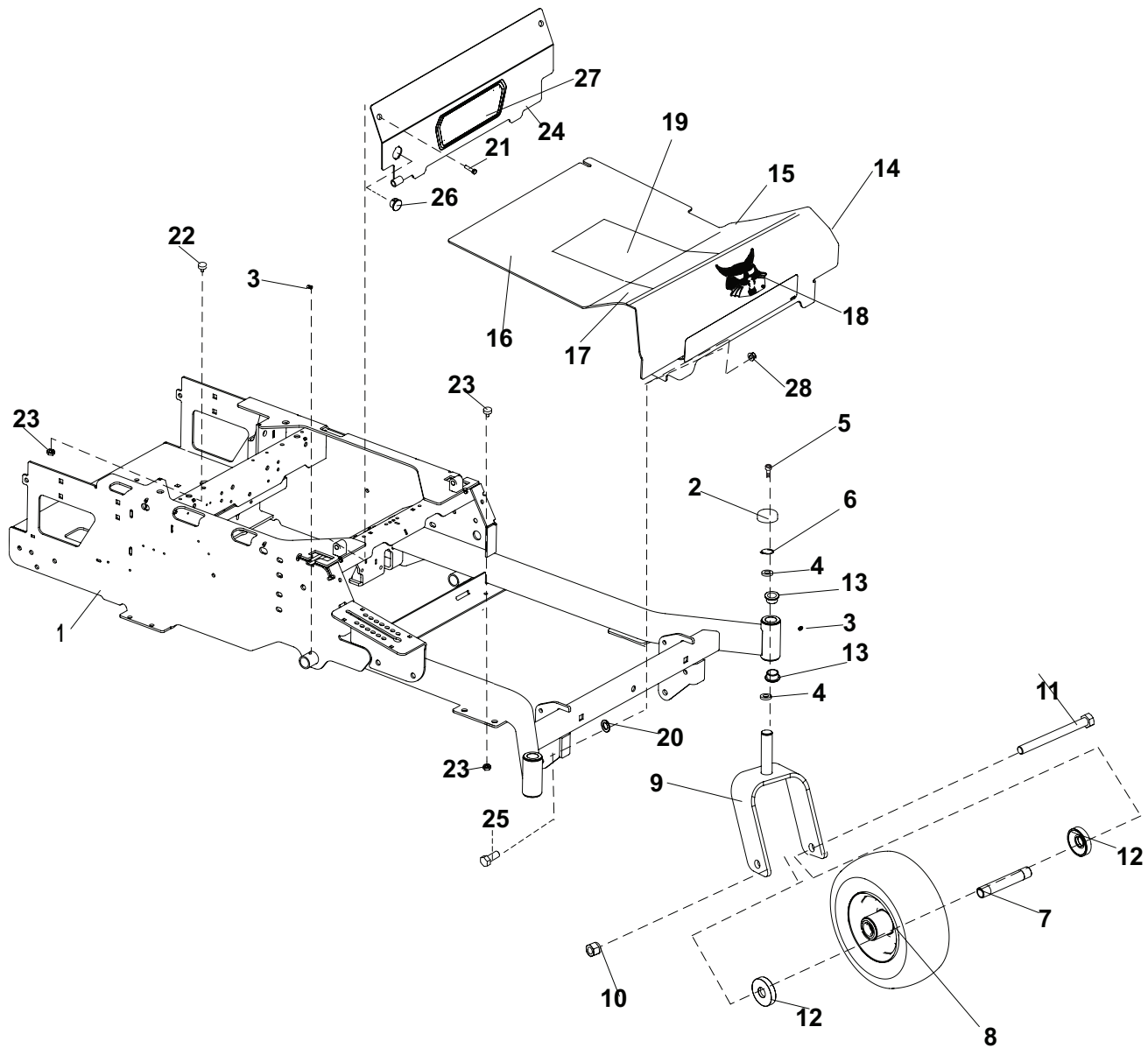
FIGURE 5

| ITM | PART NO. | DESCRIPTION | QTY | ITM | PART NO. | DESCRIPTION | QTY |
|-----|------------|------------------------------|-----|-----|----------|-------------|-----|
| 1 | 4178925 | S-FRAME , 48" &52" W/ LBLS | | | | | |
| | 4178926 | S-FRAME, 42" W/LBLS | | | | | |
| 2 | 64144-03 | SNAP RING-7/8" | 2 | | | | |
| 3 | 64123-39 | BLT--CARRIAGE 1/2-13 X 1-1/4 | 4 | | | | |
| 4 | 64268-03 | NUT-FL NYLON LOCK 3/8-16 | 4 | | | | |
| 5 | 64123-87 | BLT-HEX 3/8-16 1-3/4 | 2 | | | | |
| 6 | 4168335 | SPACER-TANSPORT RELEASE | 1 | | | | |
| 7 | 64141-4 | NUT-WLF 3/8-16 | 2 | | | | |
| 8 | 7464239.46 | LATCH-TRANSPORT | 1 | | | | |
| 9 | 4168338 | STOP-WIRE FORM, UPGRADE | 1 | | | | |
| 10 | 4167982.46 | PLT-STACKER, 2 | 4 | | | | |
| 11 | 64018-42 | 1/4-20 X 1 | 4 | | | | |
| 12 | 64229-01 | NUT-NYLON LOCK 1/4-20 | 4 | | | | |
| 13 | 4174948-01 | SPACER-DECK LINK | 4 | | | | |
| 14 | 4169398 | GRIP-LATCH TRANSPORT | 1 | | | | |
| 15 | 64163-65 | WSHR-.890X1.375X18GA | 2 | | | | |
| 16 | 64262-012 | BLT-FLG HD 3/8-16 X 1-1/4 | 4 | | | | |
| 17 | 4168181.46 | PLT-LINK, HEIGHT ADJUST | 2 | | | | |
| 18 | 4167994.46 | WLDMT-HEIGHT ADJ SLIDER | 1 | | | | |
| 19 | 4167983.46 | PLT-SLIDER MNTG | 1 | | | | |
| 20 | 4175393.46 | BRKT-DECK LIFT | 2 | | | | |
| 21 | 4168138.46 | WLDMT-STUBSHAFT, RH | 1 | | | | |
| 22 | 4168140.46 | WLDMT-STUBSHAFT, LH | 1 | | | | |
| 23 | 64268-05 | NUT-FL NYLON LCK 1/2-13 | 6 | | | | |
| 24 | 4179444.46 | WLDMT-LIFT ARM | 1 | | | | |
| 25 | 4174076.46 | BRKT-HANGER, DECK LIFT | 2 | | | | |

*NOT ILLUSTRATED

FOOT PLATE & CASTER ASSEMBLY

FIGURE 6



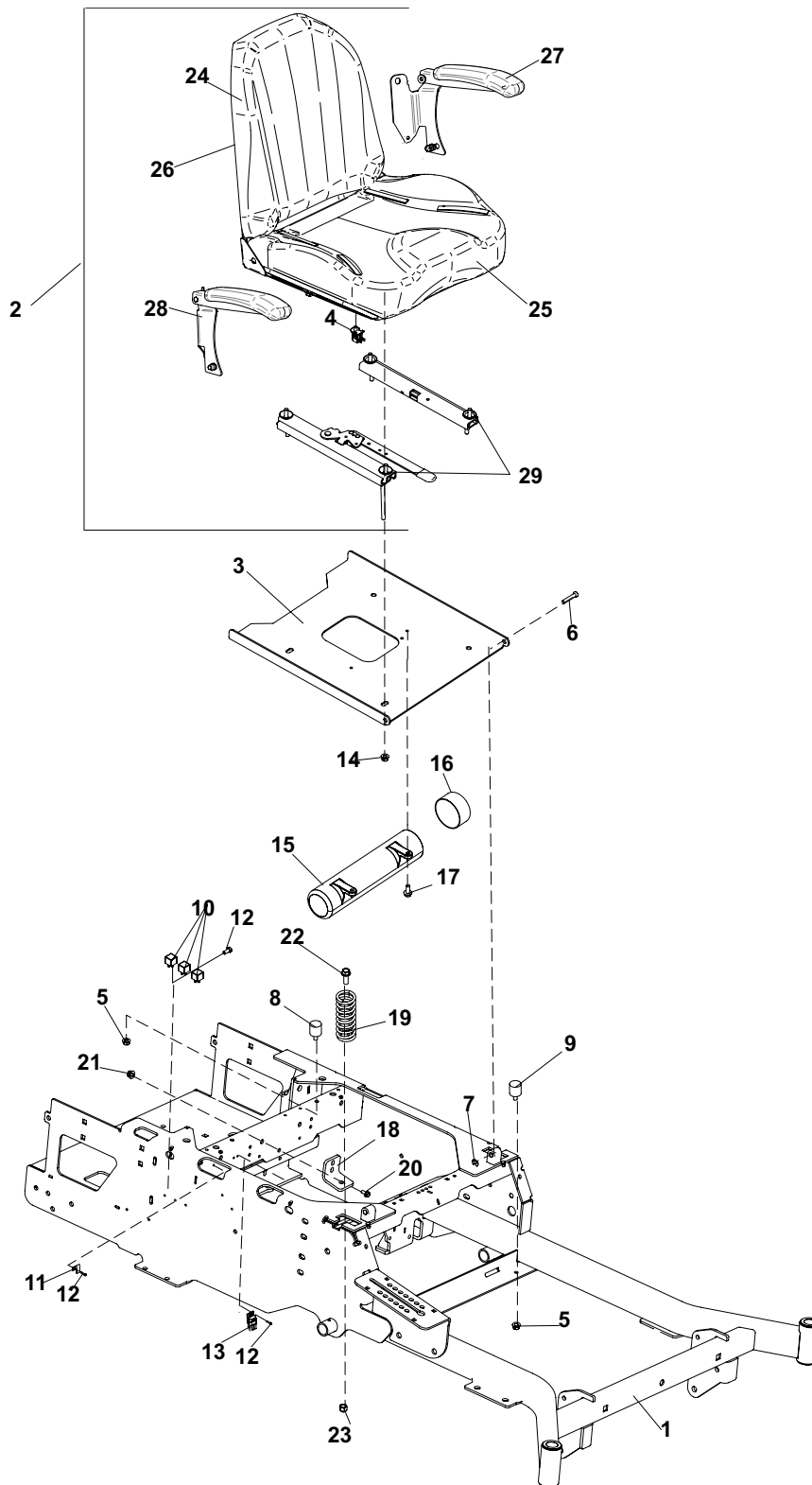
FOOT PLATE & CASTER ASSEMBLY

FIGURE 6

| ITM | PART NO. | DESCRIPTION | QTY | ITM | PART NO. | DESCRIPTION | QTY |
|-----|------------|---|-----|-----|----------|-------------|-----|
| 1 | 4178925 | S-FRAME , 48" &52" W/ LBLS | | | | | |
| | 4178926 | S-FRAME, 42" W/LBLS | | | | | |
| 2 | 4171802 | CAP-COVER | 2 | | | | |
| 3 | 85010N | ZERK-1/4-28 | 2 | | | | |
| 4 | 64163-64 | WSHR 1.015X1.500X14GA | 4 | | | | |
| 5 | 64272-04 | FLT-HEX SCR 5/16-18 X 3/4 | 2 | | | | |
| 6 | 64144-24 | SNAP RING 1.00 EXT | 2 | | | | |
| 7 | 2722230-08 | SPANNER-11" WHEEL | 2 | | | | |
| 8 | 4178401 | WHEEL-11x66-5.50 | 2 | | | | |
| | 4179100 | WHEEL-11x66-5.50 NO FLAT OPTIONAL WHEEL | 2 | | | | |
| 9 | 4178613.46 | WLDMT-CASTER | 2 | | | | |
| 10 | 64229-05 | NUT-NYLON LOCK 1/2-13 | 2 | | | | |
| 11 | 64123-221 | BLT-HEX 3/4-10X9-1/2 | 2 | | | | |
| 12 | 4178415 | DUST COVER WHEEL | 4 | | | | |
| 13 | 4129801 | BUSHING-FLANGED | 4 | | | | |
| 14 | 4178957 | S-FOOT PLATE 42 | 1 | | | | |
| | | (INCLUDES ITEMS 15, 19 & 20) (USED ON 42" MODEL) | | | | | |
| | 4178947 | S-FOOT PLATE 48-61 (INCLUDES ITEMS 15, 19 & 20) (USED ON 48", 52, MODELS) | | | | | |
| 15 | 4167088 | MAT-FOOT PLATE LH UPPER | 1 | | | | |
| 16 | 4165931 | MAT-FOOT PLATE LOWER | 1 | | | | |
| 17 | 4167087 | MAT-FOOTPLATE RH UPPER | 1 | | | | |
| 18 | 4178634 | LABEL- LARGE CAT | 1 | | | | |
| 19 | 4165610 | LABEL-WARNING | 1 | | | | |
| 20 | 64163-46 | WSHR .383/.393 X .88 X 7GA | 2 | | | | |
| 21 | 64197-016 | BLT-TDFM 3/8-16X1/2 | 2 | | | | |
| 22 | 4143354 | BUMPER, SEAT MOUNTING | 4 | | | | |
| 23 | 64141-4 | NUT-3/8-18 | 4 | | | | |
| 24 | 4164549.45 | PLATE-FRONT REMOVABLE | 1 | | | | |
| 25 | 64123-16 | BLT-HEX 3/8-16X1-1/4 | 2 | | | | |
| 26 | 4167193 | PLUG-PLASTIC, 1.125" | 1 | | | | |
| 27 | 4178886 | LABEL-ZT2000 MODEL | 1 | | | | |
| 28 | 64229-03 | NUT-NYL LOCK 3/8-16 | 2 | | | | |

SEAT ASSEMBLY

FIGURE 7



SEAT ASSEMBLY

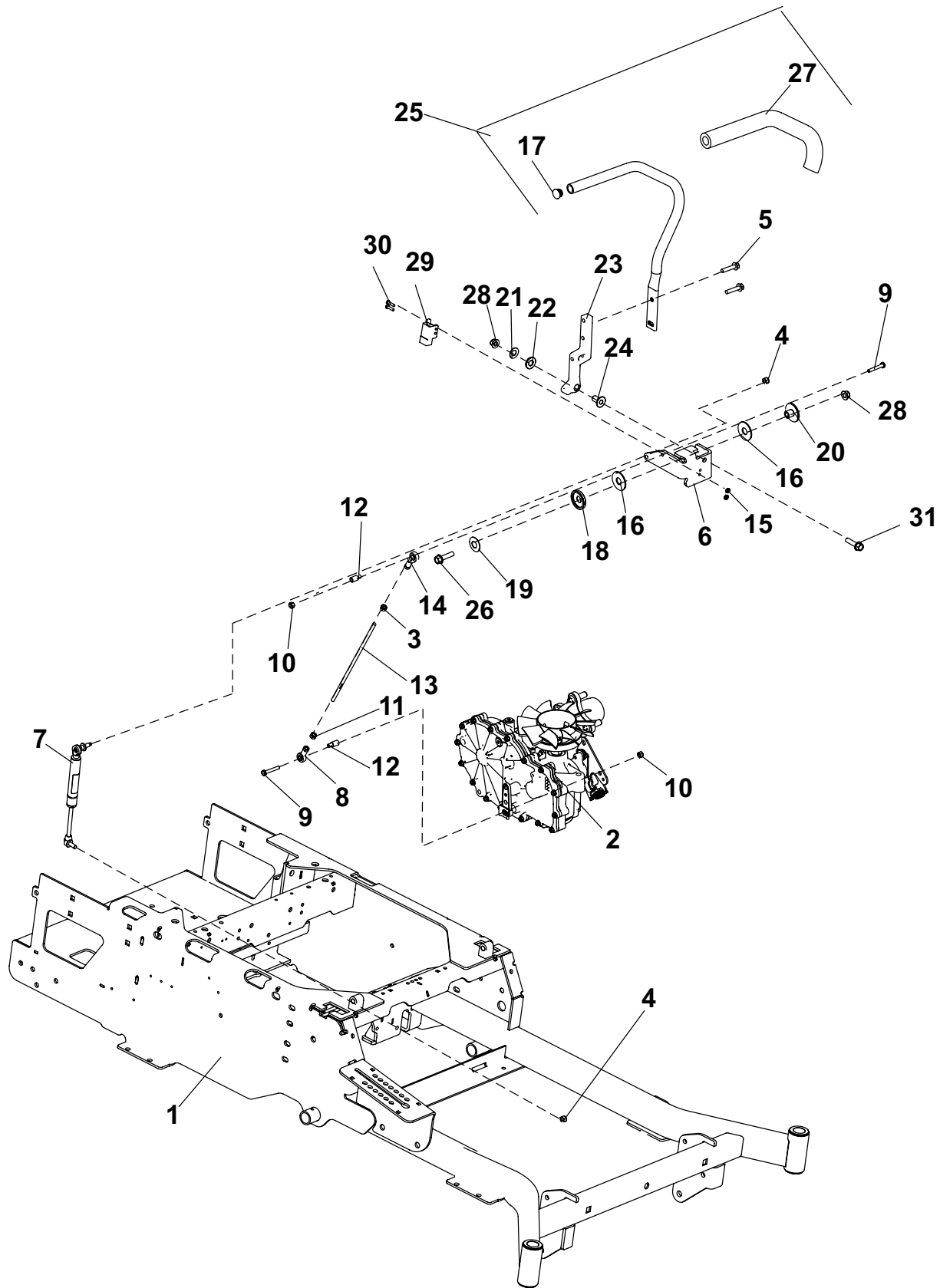
FIGURE 7

| ITM | PART NO. | DESCRIPTION | QTY | ITM | PART NO. | DESCRIPTION | QTY |
|-----|------------|---|-----|-----|----------|-------------|-----|
| 1 | 4178925 | S-FRAME , 48" &52" W/ LBLS | | | | | |
| | 4178926 | S-FRAME, 42" W/LBLS | | | | | |
| 2 | 4178719 | SEAT ASSEMBLY INCLUDES ITEMS 4, 24-29 | 1 | | | | |
| 3 | 4175260.46 | PLATE-SEAT | 1 | | | | |
| 4 | 4124009 | SWITCH-SEAT NO | 1 | | | | |
| 5 | 64141-6 | NUT-5/16-18 | 4 | | | | |
| 6 | 33138-09 | PIN-CLEVIS GRVD .38 X 1.31 | 2 | | | | |
| 7 | 64144-30 | SNAP RING .375 | 2 | | | | |
| 8 | 4164210 | BUMPER, SEAT MOUNTING | 2 | | | | |
| 9 | 4143354 | BUMPER | 1 | | | | |
| 10 | 2722325 | RELAY-40AMP SEALED | 3 | | | | |
| 11 | 148082-20 | FUSE-20 AMP | 2 | | | | |
| 12 | 64197-032 | BLT-TDFM 10-24X1/2 | 6 | | | | |
| 13 | 2188154 | MODULE-DELAY | 1 | | | | |
| 14 | 64268-02 | BLT-FLG HD 1/4-20 X 1 | 4 | | | | |
| 15 | 4160281 | S-DOCUMENT TUBE W/LAB INCLUDES ITEM 16 | 1 | | | | |
| 16 | 38061A | CAP-VINYL | 1 | | | | |
| 17 | 64197-002 | BLT-TDFM 1/4-20 X 3/4 | 2 | | | | |
| 18 | 4164330.46 | BRKT-SPRING MOUNTING | 2 | | | | |
| 19 | 4164569 | SPRING-SEAT | 2 | | | | |
| 20 | 64262-003 | BLT-FLG HD 1/4-20X1 | 4 | | | | |
| 21 | 64229-01 | NUT-NYLON LOCK 1/4-20 | 4 | | | | |
| 22 | 64262-011 | BLT-FLG HD 3/8-16X1 | 2 | | | | |
| 23 | 64229-03 | NUT-NYLON LK 3/8-16 | 2 | | | | |
| 24 | 4178985 | S-BACK ASSEMBLY | 1 | | | | |
| 25 | 4178986 | S-CUSHION ASSEMBLY | 1 | | | | |
| 26 | 4178719 | S-SHELL WELDMENT | 1 | | | | |
| 27 | 4179318 | S-KIT ARMREST | 1 | | | | |
| 28 | 4165316-02 | PAD-ARM REST | 1 | | | | |
| 29 | 4169768-04 | SLIDERS-SEAT | 1 | | | | |
| 30 | 970393 | KIT-SEAT SPRING INCLUDES ITEMS 18-23 | 1 | | | | |

* NOT ILLUSTRATED

STEERING ASSEMBLY

FIGURE 8



STEERING ASSEMBLY

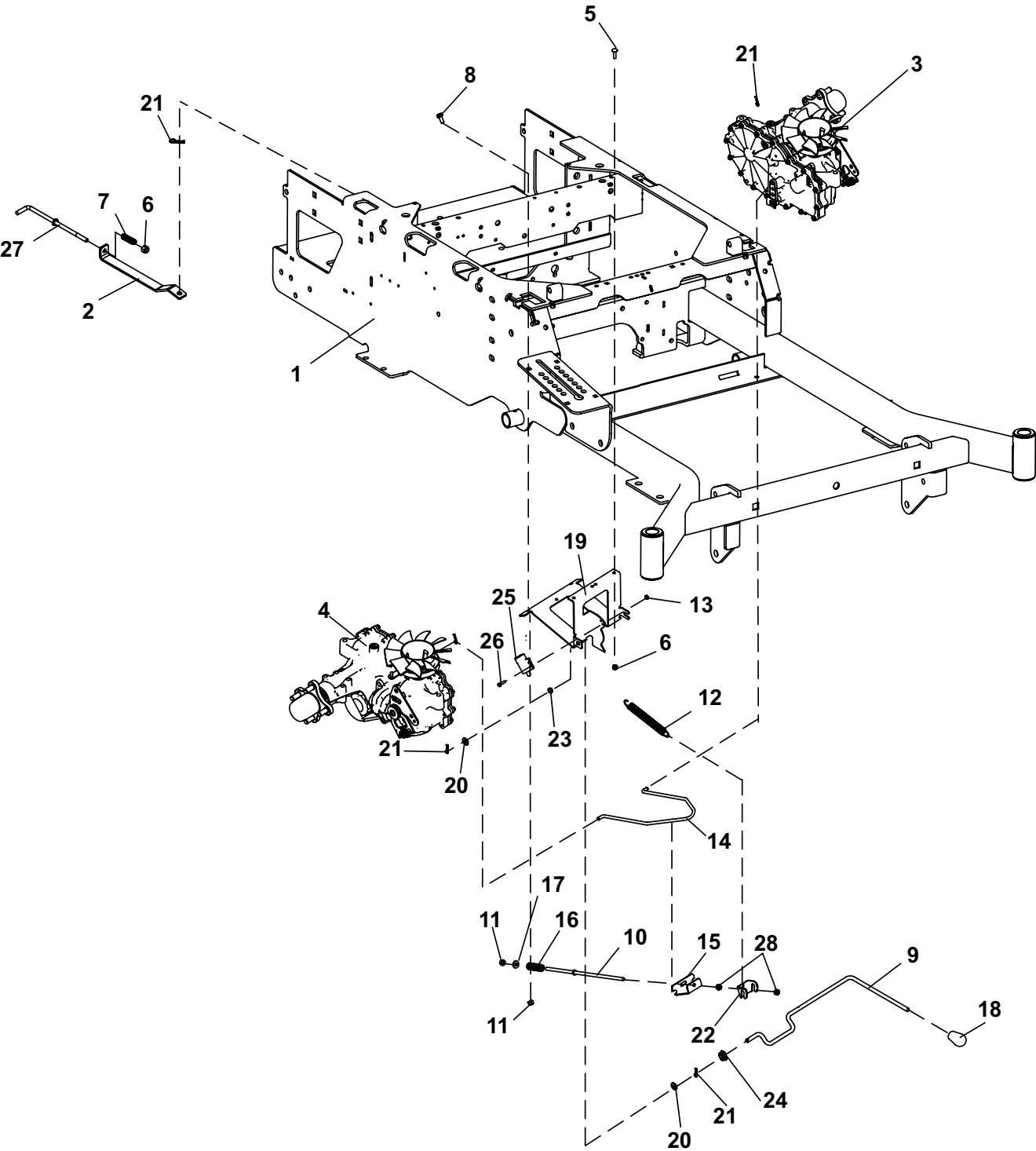
FIGURE 8

| ITM | PART NO. | DESCRIPTION | QTY | ITM | PART NO. | DESCRIPTION | QTY |
|-----|------------|----------------------------|-----|-----|----------|-------------|-----|
| 1 | 4178925 | S-FRAME , 48" &52" W/ LBLS | | | | | |
| | 4178926 | S-FRAME, 42" W/LBLS | | | | | |
| 2 | 7444393 | TRANSAXLE-LH | 1 | | | | |
| | 7444394 | TRANSAXLE-RH | 1 | | | | |
| 3 | 64025-03 | NUT-HEX 5/24 | 2 | | | | |
| 4 | 64229-02 | NUT-NYLON LOCK 5/16-18 | 4 | | | | |
| 5 | 64262-006 | BLT-FLG HD 5/16-18 X 3/4 | 4 | | | | |
| 6 | 4171278 | PLT-CONTROL BOX, LH | 1 | | | | |
| | 4171279 | PLT-CONTROL BOX, RH | 1 | | | | |
| 7 | 4165499 | DAMPER | 2 | | | | |
| 8 | 4143595-01 | ROD END-FEMALE | 2 | | | | |
| 9 | 64123-60 | BLT-HEX 1/4-20X2 | 4 | | | | |
| 10 | 64229-01 | NUT-NYLON LOCK 1/4-20 | 4 | | | | |
| 11 | 64025-33 | NUT-HEX 5/16-24 LH | 2 | | | | |
| 12 | 4168814 | SPACER-CONTROL ROD | 4 | | | | |
| 13 | 4143571 | ROD-CONTROL | 2 | | | | |
| 14 | 4143595-02 | ROD END-FEMALE, LH | 2 | | | | |
| 15 | 64025-15 | NUT-HEX #10-24 KEPS | 4 | | | | |
| 16 | 4168126 | WASHER-FLAT, DELRIN | 4 | | | | |
| 17 | 4163692 | CAP-TUBE END | 2 | | | | |
| 18 | 4168328 | WASHER - CUPPED | 2 | | | | |
| 19 | 4168434 | WASHER-BELLVILLE, 625 ID | 2 | | | | |
| 20 | 4168327 | SPACER-CONTROL LEVER | 2 | | | | |
| 21 | 4168435 | WASHER-BELLVILLE, 512 ID | 2 | | | | |
| 22 | 4168346 | WASHER-CUP, LUBRICATING | 2 | | | | |
| 23 | 4170389 | BAR-CONTROL, PM | 2 | | | | |
| 24 | 4168345 | SPACER-CTL ARM, | 2 | | | | |
| 25 | 4178923 | S-HANDLE W/ GRIP | 2 | | | | |
| | | INCLUDES ITEMS 17 & 27 | | | | | |
| 26 | 64262-013 | BLT-FLG HD 3/8-16 X 1-1/2 | 2 | | | | |
| 27 | 4178769 | GRIP-CONTROL ERGO | 2 | | | | |
| 28 | 64268-03 | NUT-FL NYLON LOCK 3/8-16 | 4 | | | | |
| 29 | 108208 | SWITCH-DBL POLE NC/NO | 2 | | | | |
| 30 | 64152-49 | SCREW-SLT HH 10-24X3/4 | 4 | | | | |
| 31 | 64262-018 | BLT-FLG HD 3/8-16 x 1-3/4 | 2 | | | | |

* NOT ILLUSTRATED

PARKING BRAKE ASSEMBLY

FIGURE 9



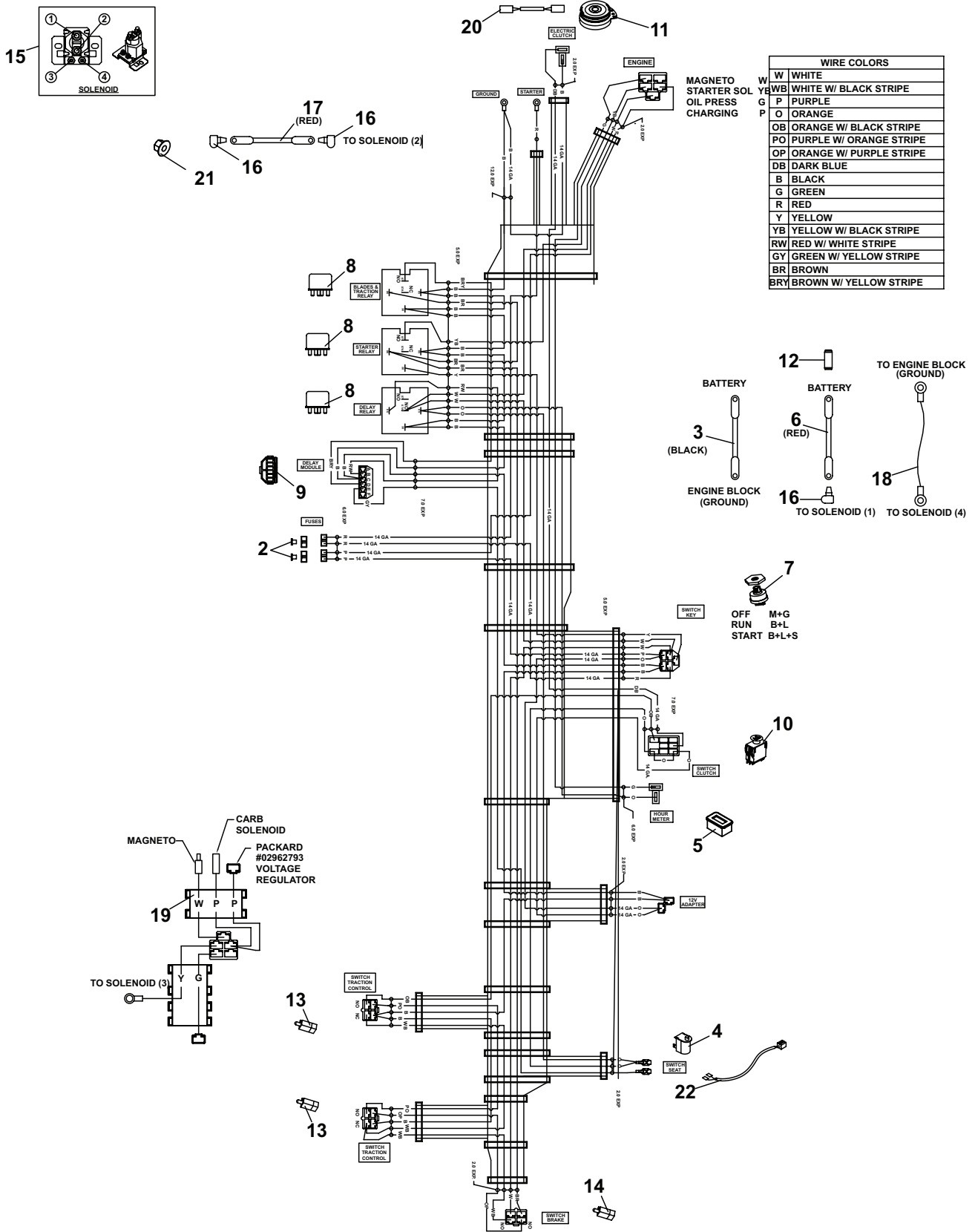
PARKING BRAKE ASSEMBLY

FIGURE 9

| ITM | PART NO. | DESCRIPTION | QTY | ITM | PART NO. | DESCRIPTION | QTY |
|-----|------------|---------------------------|-----|-----|----------|-------------|-----|
| 1 | 4178925 | S-FRAME , 48" &52" W/ LBL | | | | | |
| | 4178926 | S-FRAME, 42" W/LBLS | | | | | |
| 2 | 4148698.46 | LINK-DUMP VALVE | 2 | | | | |
| 3 | 7444393 | TRANSAXLE-LH | 1 | | | | |
| 4 | 7444394 | TRANSAXLE-RH | 1 | | | | |
| 5 | 64018-2 | BLT-CRG, 1/4-20 X 3/4 | 2 | | | | |
| 6 | 64229-01 | NUT-NYLON LOCK 1/4-20 | 4 | | | | |
| 7 | 2720977 | SPRING-COMPRESSION | 2 | | | | |
| 8 | 64123-54 | BLT-HEX 5/16-18 X .75 | 2 | | | | |
| 9 | 4168162 | LEVER-BRAKE, WIRE-FORM | 1 | | | | |
| 10 | 4168171 | ROD-BRAKE, THRD, 5/16 | 1 | | | | |
| 11 | 64229-02 | NUT-NYLON LOCK 5/16-18 | 3 | | | | |
| 12 | 41-010 | SPRING | 1 | | | | |
| 13 | 64025-15 | NUT-HEX #10-24 KEPS | 2 | | | | |
| 14 | 4168163 | ROD-BRAKE, PARKING | 1 | | | | |
| 15 | 4168217.46 | BRACKET-CLIP, RETAINER | 1 | | | | |
| 16 | 4155481 | SPRING COMPRESSION | 1 | | | | |
| 17 | 64163-55 | WSHR-.328X.75X14 GA | 1 | | | | |
| 18 | 4168180 | KNOB-PUSH ON | 1 | | | | |
| 19 | 4168209.46 | BRACKET-BRAKE, PARKING | 1 | | | | |
| 20 | 64163-61 | WSHR .81X.406X16GA | 2 | | | | |
| 21 | 64168-2 | COTTER-HAIRPIN .08X1.19 | 6 | | | | |
| 22 | 4168210.46 | CLIP-RETAINING, LINK | 1 | | | | |
| 23 | 4168216 | BUSHING-PARKING BRAKE | 1 | | | | |
| 24 | 4168412 | BEARING-BRAKE, PARKING | 1 | | | | |
| 25 | 2188156 | SWITCH-NONO DBL POLE | 1 | | | | |
| 26 | 64152-49 | SCREW-SLT HH 10-24X3/4 | 2 | | | | |
| 27 | 4148697 | ROD-BYPASS CONTROL | 2 | | | | |
| 28 | 64141-6 | NUT-WLF 5/16-18 | 2 | | | | |

WIRE HARNESS

FIGURE 10



WIRE HARNESS

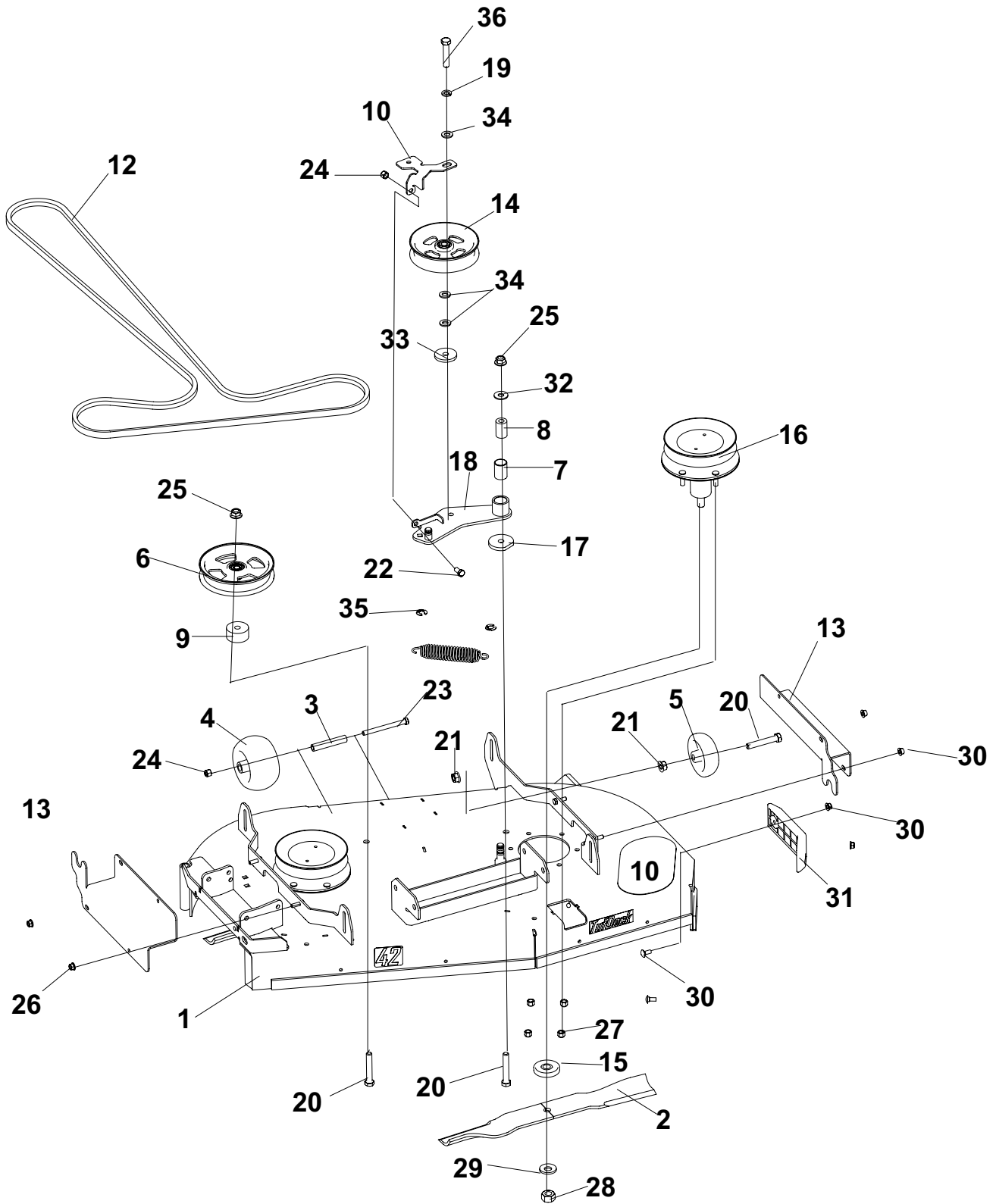
FIGURE 10

| ITM | PART NO. | DESCRIPTION | QTY | ITM | PART NO. | DESCRIPTION | QTY |
|-----|-----------|----------------------------|-----|-----|----------|-------------|-----|
| 1 | 4168406 | HARNESS-MAIN WIRE | 1 | | | | |
| 2 | 148082-20 | FUSE 20 AMP | 2 | | | | |
| 3 | 30-419 | CABLE-BATT 4 GA BLK 29" | 1 | | | | |
| 4 | 4124009 | SWITCH-SEAT NO | 1 | | | | |
| 5 | 4168452 | METER-HOUR | 1 | | | | |
| 6 | 4168492 | CABLE-BATT 4 GA RED 29" | 1 | | | | |
| 7 | 128010 | SWITCH, KEY | 1 | | | | |
| 8 | 2722325 | RELAY-40AMP SEALED | 3 | | | | |
| 9 | 2188154 | MODULE-DELAY | 1 | | | | |
| 10 | 2721505 | SWITCH-PTO | 1 | | | | |
| 11 | 4168068 | CLUTCH-ELECTRICAL | 1 | | | | |
| 12 | 30-184 | COVER-POS TERMINAL | 1 | | | | |
| 13 | 108208 | SWITCH DBL POLE | 2 | | | | |
| 14 | 2188156 | SWITCH-NONO DBL POLE | 1 | | | | |
| 15 | 38665 | SOLENOID | 1 | | | | |
| 16 | 2308095 | COVER-TERMINAL | 3 | | | | |
| 17 | 108061-04 | CABLE-BATTERY 20 RED | 1 | | | | |
| 18 | 2188225 | WIRE-GROUND | 1 | | | | |
| 19 | 2188224 | HARNESS-JUMPER | 1 | | | | |
| 20 | 2720949 | ASSY-CLUTCH WIRE | 1 | | | | |
| 21 | 64141-2 | NUT-WLF 1/4-20 | 1 | | | | |
| 22 | 4164972 | WIRE-SEAT SWITCH | 1 | | | | |
| 23* | 56-081-36 | SLEEVING, ID 0.77 NYLON 2' | 1 | | | | |

* NOT ILLUSTRATED

42" SIDE DISCHARGE DECK ASSEMBLY

FIGURE 11



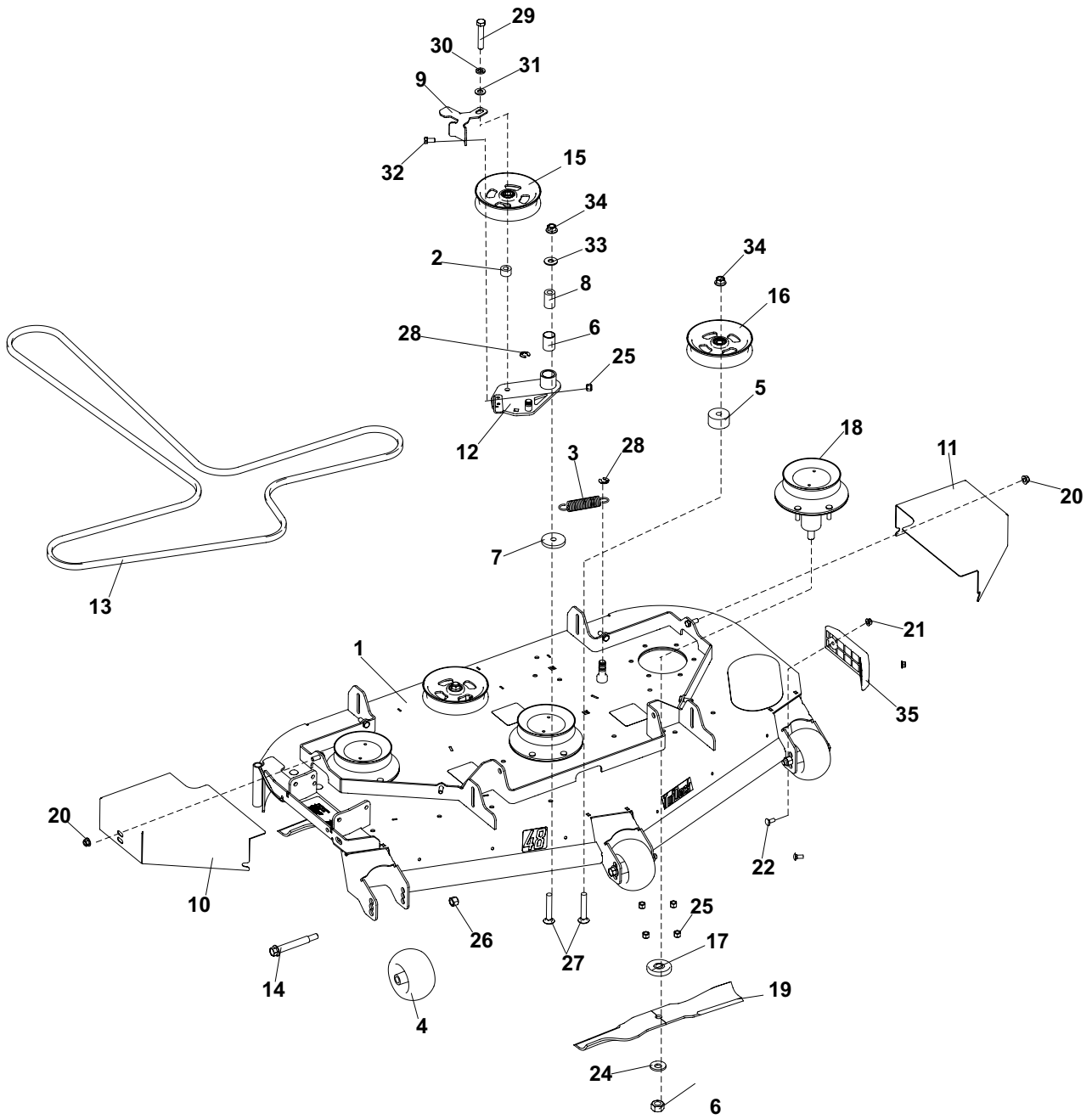
42" SIDE DISCHARGE DECK ASSEMBLY

FIGURE 11

| ITM | PART NO. | DESCRIPTION | QTY | ITM | PART NO. | DESCRIPTION | QTY |
|-----|------------|---------------------------|-----|-----|----------|-------------|-----|
| 1 | 4178958 | S-CUTTERDECK, 42IN | 1 | | | | |
| 2 | 112111-03 | BLADE 21.00 OFFST HLFT | 2 | | | | |
| 3 | 2720685 | SPACER-ROLLER | 1 | | | | |
| 4 | 2721512 | ROLLER-5X2.75 CENTERED | 1 | | | | |
| 5 | 4163332 | ROLLER, ANTI-SCALP | 1 | | | | |
| 6 | 4165953 | PULLEY-IDLER, 6.0 | 1 | | | | |
| 7 | 4166324-03 | BEARING-PLASTIC 1.000 ID | 1 | | | | |
| 8 | 4168176 | TUBE-PIVOT, IDLER INNER | 1 | | | | |
| 9 | 4168551 | SPACER-IDLER, DECK 61IN | 1 | | | | |
| 10 | 4168594.46 | GUIDE-BELT 52 IDLER | 1 | | | | |
| 11 | 4169716 | SPRING-EXTENSION | 1 | | | | |
| 12 | 4171677 | BELT-42IN DECK | 1 | | | | |
| 13 | 4171695.46 | COVER-BELT,42IN | 2 | | | | |
| 14 | 4176803 | PULLEY-IDLER, 5.50 | 1 | | | | |
| 15 | 7460376 | SPCR-BLADE,17MM SPNDL | 2 | | | | |
| 16 | 7443187 | SPINDLE ASSEMBLY | 2 | | | | |
| 17 | 4179038 | SPACER-IDLER,PIVOT | 1 | | | | |
| 18 | 4179059.46 | WLDMT-IDLER ARM, 42IN | 1 | | | | |
| 19 | 64006-05 | LOCKWSHR-1/2 HELICAL | 1 | | | | |
| 20 | 64123-31 | BLT-HEX 1/2-13X3 | 3 | | | | |
| 21 | 64141-13 | NUT WLF 1/2-13 | 2 | | | | |
| 22 | 64123-15 | BLT-HEX 3/8-16X3/4 | 3 | | | | |
| 23 | 64123-217 | BLT-HEX 3/8-16X4-1/4 | 1 | | | | |
| 24 | 64229-03 | NUT-NYLON LOCK 3/8-16 | 10 | | | | |
| 25 | 64268-05 | NUT-FL NYLON LOCK 1/2-13 | 6 | | | | |
| 26 | 64268-02 | NUT-FL NYLON LOCK 5/16-18 | 4 | | | | |
| 27 | 64268-03 | NUT-FL NYLON LOCK 3/8-16 | 1 | | | | |
| 28 | 64025-47 | NUT-HEX, 5/8-18 HEAVY HEX | 2 | | | | |
| 29 | 64209-03 | WSHR-CON SPRING .67 ID | 2 | | | | |
| 30 | 64018-49 | BLT-CRG 3/8-16 X 1-1/2 | 2 | | | | |
| 31 | 4172339 | PAD-WEAR, TRIM SIDE | 1 | | | | |
| 32 | 64163-19 | WSHR 33/64X1-1/4X12GA | 1 | | | | |
| 33 | 64163-74 | WSHR-.516X2.00X.250 | 1 | | | | |
| 34 | 64163-67 | WSHR-.516X1X12GA | 3 | | | | |
| 35 | 64144-36 | RING-RET .625 EXT KLIP | 2 | | | | |
| 36 | 64123-272 | BLT-HEX 1/2-20X2-1/2 | 1 | | | | |

48" SIDE DISCHARGE DECK ASSEMBLY

FIGURE 12



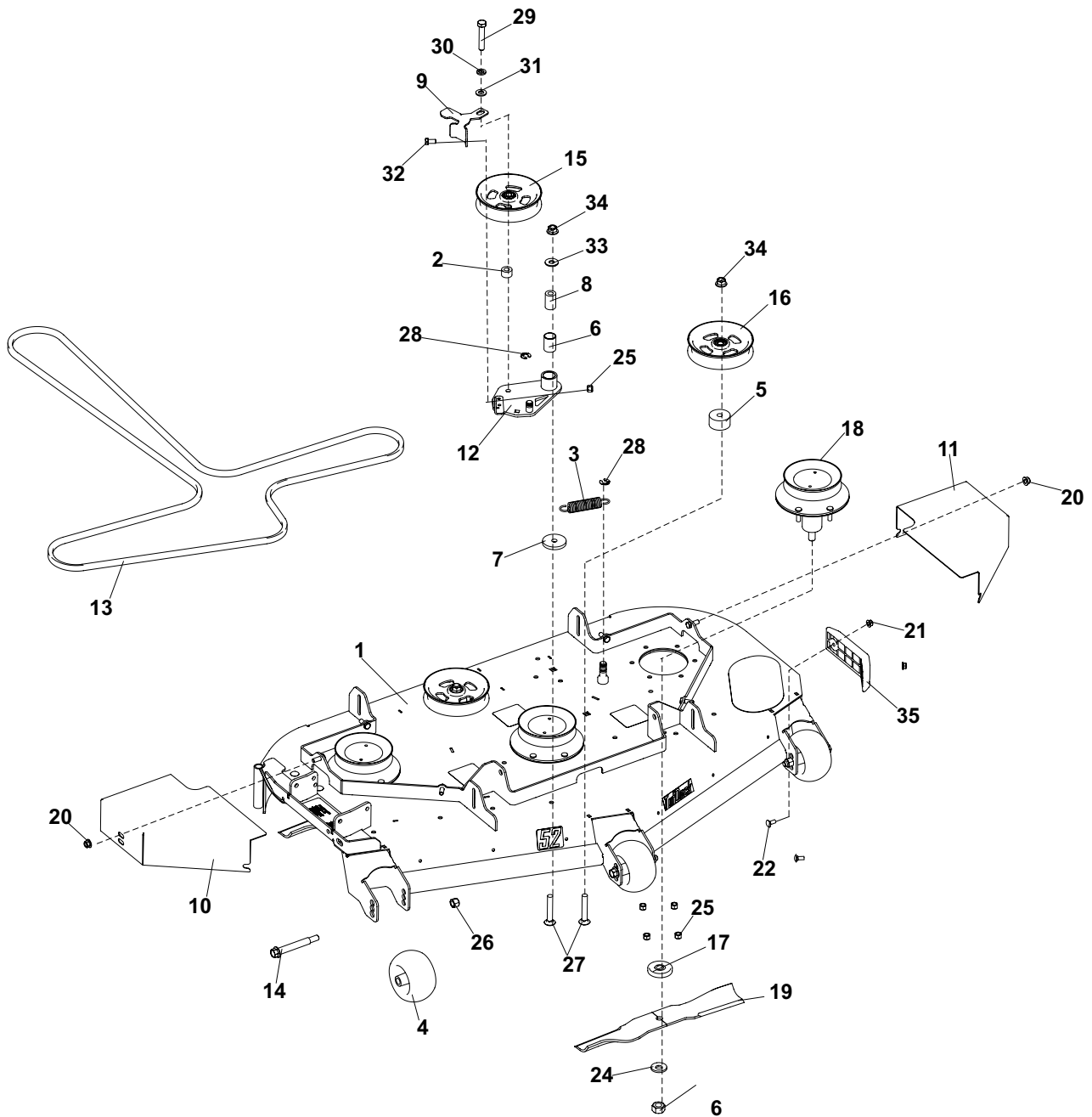
48" SIDE DISCHARGE DECK ASSEMBLY

FIGURE 12

| ITM | PART NO. | DESCRIPTION | QTY | ITM | PART NO. | DESCRIPTION | QTY |
|-----|------------|---------------------------|-----|-----|----------|-------------|-----|
| 1 | 4178946 | S-48 DECK W/ LABELS | 1 | | | | |
| 2 | 113086 | SPACER | 1 | | | | |
| 3 | 2308133 | SPRING EXTENSION | 1 | | | | |
| 4 | 2721512 | ROLLER-5X2.75 CENTERED | 3 | | | | |
| 5 | 4152578-02 | SPACER-2.0 X .516 X 1.07 | 2 | | | | |
| 6 | 4166324-03 | BEARING-PLASTIC 1.000 ID | 1 | | | | |
| 7 | 4168173 | SPACER-IDLER, PIVOT | 1 | | | | |
| 8 | 4168176 | TUBE-PIVOT, IDLER INNER | 1 | | | | |
| 9 | 4168732.46 | GUIDE-BELT | 1 | | | | |
| 10 | 4173222.46 | COVER-BELT 48 RH | 1 | | | | |
| 11 | 4173223.46 | COVER-BELT 48 LH | 1 | | | | |
| 12 | 4169504.46 | WLDMT-IDLER ARM, 48/52 | 1 | | | | |
| 13 | 4169566 | BELT-DECK, 48" | 1 | | | | |
| 14 | 4172885-1 | BOLT-SHLDR,ANTI-SCALP | 1 | | | | |
| 15 | 4176803 | PULLEY-IDLER, 5.50 | 1 | | | | |
| 16 | 4176836 | PULLEY-IDLER, 5.50 | 2 | | | | |
| 17 | 7460376 | SPCR-BLADE,17MM SPNDL | 3 | | | | |
| 18 | 7443188 | SPINDLE ASSEMBLY | 3 | | | | |
| 19 | 112111-01 | BLADE 16.25 OFFST HLFT | 3 | | | | |
| 20 | 64268-03 | NUT-FL NYLON LOCK 3/8-16 | 2 | | | | |
| 21 | 64268-01 | NUT-FL NYLON LOCK 1/4-2 | 3 | | | | |
| 22 | 64018-23 | BLT-CRG 3/8-16X3/4 SHRT | 2 | | | | |
| 23 | 64025-47 | NUT-HEX, 5/8-18 HEAVY HEX | 3 | | | | |
| 24 | 64209-03 | WSHR-CON SPRING .67 ID | 3 | | | | |
| 25 | 64229-03 | NUT-NYLON LOCK 3/8-16 | 12 | | | | |
| 26 | 64229-05 | NUT-NYLON LOCK 1/2-13 | 3 | | | | |
| 27 | 64018-11 | BLT-CRG 1/2-13X3LG | 3 | | | | |
| 28 | 64144-36 | RING-RET .625 EXT KLIP | 2 | | | | |
| 29 | 64123-262 | BLT-HEX 1/2-20X2-3/4 | 1 | | | | |
| 30 | 64006-05 | LOCKWSHR-1/2 HELICAL | 1 | | | | |
| 31 | 64163-67 | WSHR-.516X1X12GA | 1 | | | | |
| 32 | 64123-15 | BLT-HEX 3/8-16X3/4 | 4 | | | | |
| 33 | 64163-19 | WSHR 33/64X1-1/4X12GA | 1 | | | | |
| 34 | 64268-05 | NUT-FL NYLON LOCK 1/2-13 | 3 | | | | |
| 35 | 4172339 | PAD-WEAR, TRIM SIDE | 1 | | | | |

52" SIDE DISCHARGE DECK ASSEMBLY

FIGURE 13



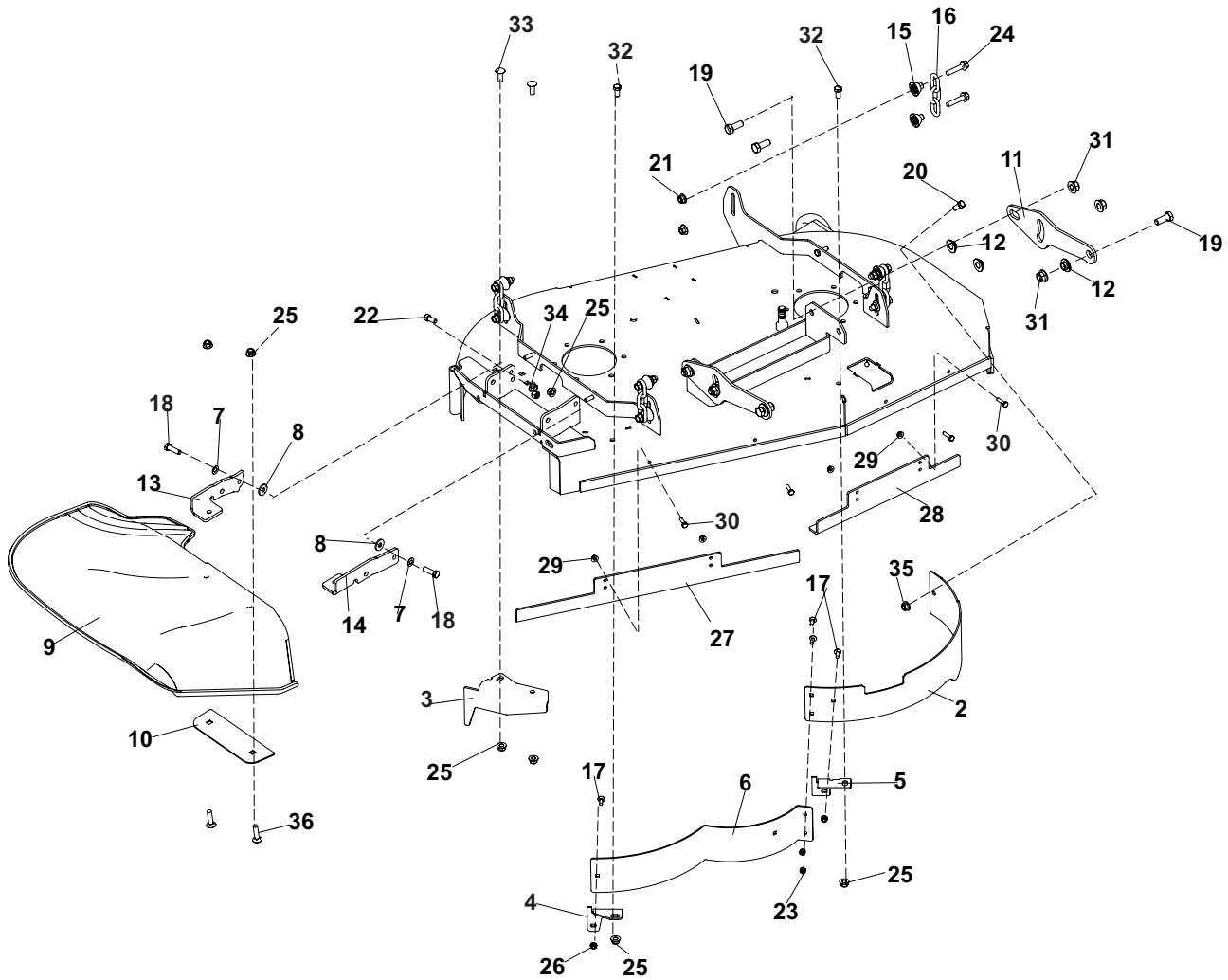
52" SIDE DISCHARGE DECK ASSEMBLY

FIGURE 13

| ITM | PART NO. | DESCRIPTION | QTY | ITM | PART NO. | DESCRIPTION | QTY |
|-----|------------|---------------------------|-----|-----|----------|-------------|-----|
| 1 | 4178945 | S-52 DECK W/ LABELS | 1 | | | | |
| 2 | 113086 | SPACER | 1 | | | | |
| 3 | 2308133 | SPRING EXTENSION | 1 | | | | |
| 4 | 2721512 | ROLLER-5X2.75 CENTERED | 3 | | | | |
| 5 | 4152578-02 | SPACER-2.0 X .516 X 1.07 | 2 | | | | |
| 6 | 4166324-03 | BEARING-PLASTIC 1.000 ID | 1 | | | | |
| 7 | 4168173 | SPACER-IDLER, PIVOT | 1 | | | | |
| 8 | 4168176 | TUBE-PIVOT, IDLER INNER | 1 | | | | |
| 9 | 4168732.46 | GUIDE-BELT | 1 | | | | |
| 10 | 4179687.46 | COVER-BELT,DECK 52 RH | 1 | | | | |
| 11 | 4169305.46 | COVER-BELT,DECK 52 LH | 1 | | | | |
| 12 | 4169504.46 | WLDMT-IDLER ARM, 48/52 | 1 | | | | |
| 13 | 4169640 | BELT-DECK, 52IN | 1 | | | | |
| 14 | 4172885-1 | BOLT-SHLDR,ANTI-SCALP | 1 | | | | |
| 15 | 4176803 | PULLEY-IDLER, 5.50 | 1 | | | | |
| 16 | 4176836 | PULLEY-IDLER, 5.50 | 2 | | | | |
| 17 | 7460376 | SPCR-BLADE,17MM SPNDL | 3 | | | | |
| 18 | 7443188 | SPINDLE ASSEMBLY | 3 | | | | |
| 19 | 112111-02 | BLADE 18.00OFFST HLFT | 3 | | | | |
| 20 | 64268-03 | NUT-FL NYLON LOCK 3/8-16 | 2 | | | | |
| 21 | 64268-01 | NUT-FL NYLON LOCK 1/4-2 | 3 | | | | |
| 22 | 64018-23 | BLT-CRG 3/8-16X3/4 SHRT | 2 | | | | |
| 23 | 64025-47 | NUT-HEX, 5/8-18 HEAVY HEX | 3 | | | | |
| 24 | 64209-03 | WSHR-CON SPRING .67 ID | 3 | | | | |
| 25 | 64229-03 | NUT-NYLON LOCK 3/8-16 | 12 | | | | |
| 26 | 64229-05 | NUT-NYLON LOCK 1/2-13 | 3 | | | | |
| 27 | 64018-11 | BLT-CRG 1/2-13X3LG | 3 | | | | |
| 28 | 64144-36 | RING-RET .625 EXT KLIP | 2 | | | | |
| 29 | 64123-262 | BLT-HEX 1/2-20X2-3/4 | 1 | | | | |
| 30 | 64006-05 | LOCKWSHR-1/2 HELICAL | 1 | | | | |
| 31 | 64163-67 | WSHR-.516X1X12GA | 1 | | | | |
| 32 | 64123-15 | BLT-HEX 3/8-16X3/4 | 4 | | | | |
| 33 | 64163-19 | WSHR 33/64X1-1/4X12GA | 1 | | | | |
| 34 | 64268-05 | NUT-FL NYLON LOCK 1/2-13 | 3 | | | | |
| 35 | 4172339 | PAD-WEAR, TRIM SIDE | 1 | | | | |

42" CHUTE, BAFFLES, EDGES, & DECK LINKS

FIGURE 14



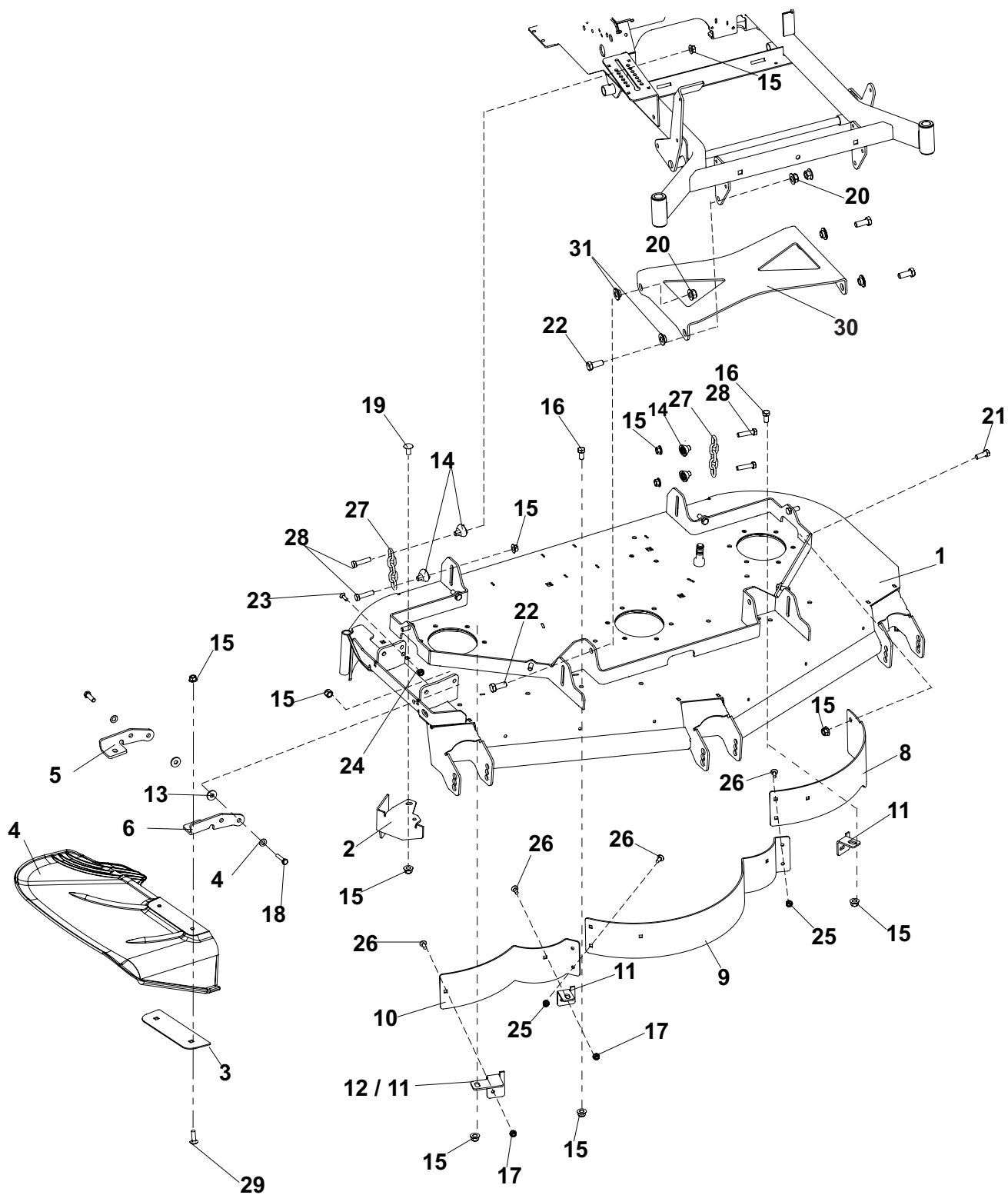
42" CHUTE, BAFFLES, EDGES, & DECK LINKS

FIGURE 14

| ITM | PART NO. | DESCRIPTION | QTY | ITM | PART NO. | DESCRIPTION | QTY |
|-----|------------|---------------------------|-----|-----|----------|-------------|-----|
| 1 | 4178958 | S-CUTTERDECK, 42IN | 1 | | | | |
| 2 | 4167803.46 | BAFFLE-FRONT,LH 42IN | 1 | | | | |
| 3 | 4168085.46 | BAFFLE-DISCHARGE | 1 | | | | |
| 4 | 4168487.46 | BRKT-BAFFLE MNTG, RH | 1 | | | | |
| 5 | 4168553.46 | BRKT-BAFFLE MNTG, LH | 1 | | | | |
| 6 | 4168554.46 | BAFFLE-FRONT,RH42IN | 1 | | | | |
| 7 | 4169871 | WASHER-BELLVILLE,.382 ID | 2 | | | | |
| 8 | 4169895 | WASHER-FRICTION,UHMW | 2 | | | | |
| 9 | 4172328 | CHUTE-DISCHARGE | 1 | | | | |
| 10 | 4173063.46 | PLATE-CHUTE | 1 | | | | |
| 11 | 4173893.46 | PLATE-PULL ARM | 2 | | | | |
| 12 | 4175019 | SPACER-PULL ARM | 6 | | | | |
| 13 | 4177410.46 | BRKT-CHUTE, REAR | 1 | | | | |
| 14 | 4177411.46 | BRKT-CHUTE, FRONT | 1 | | | | |
| 15 | 4178684 | SPCR-DECK HANGING | 8 | | | | |
| 16 | 4178788 | CHAIN-6.35 (.250) 3 LINKS | 4 | | | | |
| 17 | 64018-2 | BLT-CRG 1/4-20X3/4-2 | 4 | | | | |
| 18 | 64123-16 | BLT-HEX 3/8-16X1-1/4 | 2 | | | | |
| 19 | 64123-39 | BLT-HEX 1/2-13X1-1/4 | 6 | | | | |
| 20 | 64123-50 | BLT-HEX 3/8-16X1 | 1 | | | | |
| 21 | 64141-16 | NUT-WLF 3/8-16,LRG FLNG | 4 | | | | |
| 22 | 64189-28 | BLT-HEX SOC,3/8-16X3/4 | 1 | | | | |
| 23 | 64229-01 | NUT-NYLON LOCK 1/4-20 | 2 | | | | |
| 24 | 64262-018 | BLT-FLG HD 3/8-16 X 1-3/4 | 8 | | | | |
| 25 | 64268-02 | NUT-FL NYLON LOCK 5/16-18 | 4 | | | | |
| 26 | 64268-01 | NUT-FL NYLON LOCK 1/4-20 | 2 | | | | |
| 27 | 4171705.46 | ANGLE-WEAR STRIP, 42 RH | 1 | | | | |
| 28 | 4171694.46 | ANGLE-WEAR STRIP, 42 LH | 1 | | | | |
| 29 | 64141-2 | NUT-WLF 1/4-20 | 4 | | | | |
| 30 | 64123-114 | BLT-HEX 1/4-20X1 | 4 | | | | |
| 31 | 64268-05 | NUT-FL NYLON LOCK 1/2-13 | 4 | | | | |
| 32 | 64123-15 | BLT-HEX 3/8-16X3/4 | 2 | | | | |
| 33 | 64018-44 | BLT-CRG 3/8-16X1 SN | 2 | | | | |
| 34 | 64229-03 | NUT-NYLON LOCK 3/8-16 | 4 | | | | |
| 35 | 64268-03 | NUT-FL NYLON LOCK 3/8-16 | 2 | | | | |
| 36 | 64018-49 | LT-CRG 3/8-16 X 1-1/2 | 2 | | | | |

48" & 52" CHUTE, BAFFLES, EDGES, & DECK LINKS

FIGURE 15



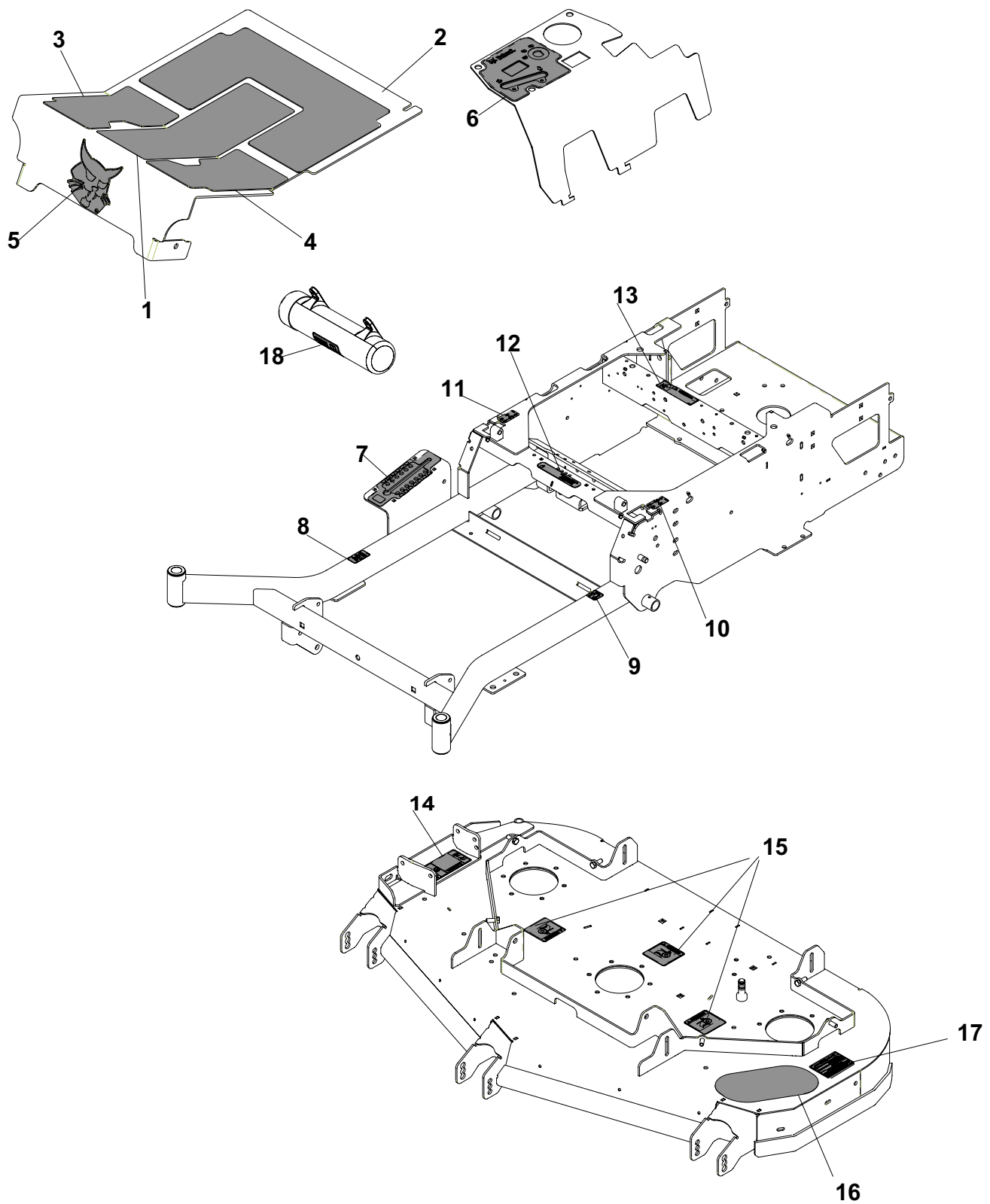
48" & 52" CHUTE, BAFFLES, EDGES, & DECK LINKS

FIGURE 15

| ITM | PART NO. | DESCRIPTION | QTY | ITM | PART NO. | DESCRIPTION | QTY |
|-----|------------|--|-----|-----|----------|-------------|-----|
| 1 | 4178946 | S-DECK W/LABELS, BN 48IN | 1 | | | | |
| | 4178945 | S-DECK W/LABELS, BN 52IN | | | | | |
| 2 | 4173420.46 | BAFFLE-DISCHARGE, 48"&52" | 1 | | | | |
| 3 | 4173063.46 | PLATE-CHUTE | 1 | | | | |
| 4 | 4172328 | CHUTE-PLASTIC | 1 | | | | |
| 5 | 4177410.46 | BRKT-CHUTE, REAR | 1 | | | | |
| 6 | 4177411.46 | BRKT-CHUTE, FRONT | 1 | | | | |
| 7 | 4169871 | WASHER-BELLVILLE, .382 ID | 2 | | | | |
| 8 | 4165971.46 | BAFFLE-FRONT LH 48" | 1 | | | | |
| | 4165965.46 | BAFFLE-FRONT LH 52" | | | | | |
| 9 | 4165972.46 | BAFFLE FRONT CENTER, 48" | 1 | | | | |
| | 4165966.46 | BAFFLE-FRONT CENTER, 52" | | | | | |
| 10 | 4168527.46 | BAFFLE-FRONT, RH 48" | 1 | | | | |
| | 4168516.46 | BAFFLE-FRONT, RH 52" | | | | | |
| 11 | 4168514.46 | BRKT-BAFFLE MNTG, 48" &52" (9993501 QTY 3, 9993502 QTY 2) | | | | | |
| 12 | 4168515.46 | BRKT-BAFFLE MNTG, RH 52" | 1 | | | | |
| 13 | 4169895 | WSHR-FRICTION, UHMW | 2 | | | | |
| 14 | 4178684 | SPCR-DECK HANGING | 8 | | | | |
| 15 | 64268-03 | NUT-FL NYLON LOCK 3/8-16 | 12 | | | | |
| 16 | 64123-15 | BLT-HEX 3/8-16X3/4 | 3 | | | | |
| 17 | 64268-01 | NUT-FL NYLON LOCK 1/4-2 | 3 | | | | |
| 18 | 64123-16 | BLT-HEX 3/8-16X1-1/4 | 2 | | | | |
| 19 | 64018-23 | BLT-CRG 3/8-16X3/4 SHRTNK | 2 | | | | |
| 20 | 64268-05 | NUT-FL NYLON LOCK 1/2-13 | 4 | | | | |
| 21 | 64123-50 | BLT-HEX 3/8-16X1 | 1 | | | | |
| 22 | 64123-39 | BLT-HEX 1/2-13X1-1/4 | 4 | | | | |
| 23 | 64189-28 | BLT-HEX SOC, 3/8-16 X 3/4 | 1 | | | | |
| 24 | 64229-03 | NUT-NYLON LOCK 3/8-16 | 1 | | | | |
| 25 | 64229-01 | LOCKNUT-1/4-20 NYLON | 4 | | | | |
| 26 | 64018-2 | BLT-CRG 1/4-20X3/4 | 7 | | | | |
| 27 | 2188127 | CHAIN-6.35 (.250) 5 LINKS | 4 | | | | |
| 28 | 64262-018 | BLT-FLG HD 3/8-16 X 1-3/4 | 8 | | | | |
| 29 | 64018-49 | BLT-CRG 3/8-16X1-1/2 | 2 | | | | |
| 30 | 4175098.46 | BRKT-PULLARM | 1 | | | | |
| 31 | 4175019 | SPACER-PULL ARM | 4 | | | | |

DECALS

FIGURE 16



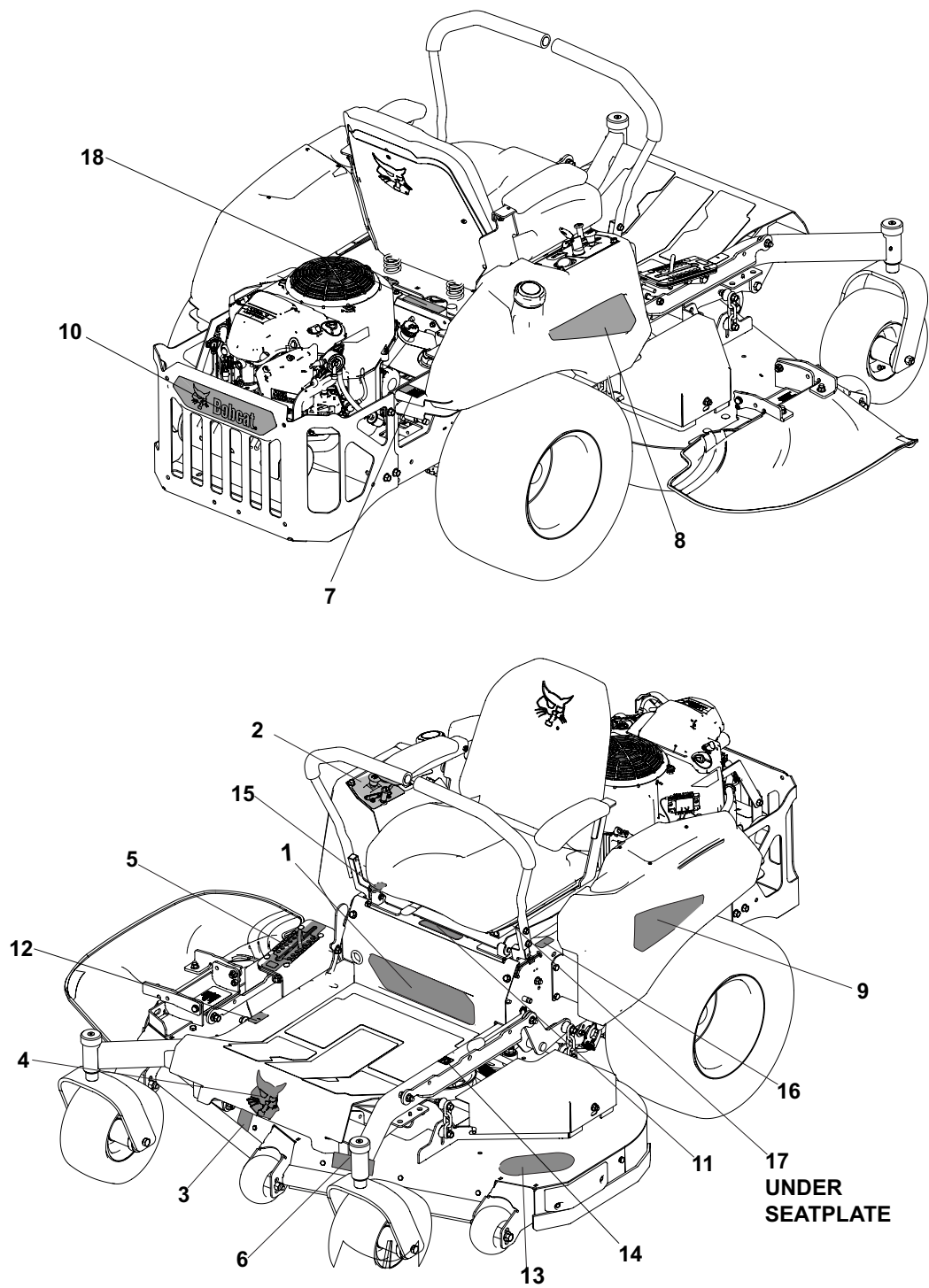
DECALS

FIGURE 16

| ITM | PART NO. | DESCRIPTION | QTY | ITM | PART NO. | DESCRIPTION | QTY |
|-----|----------|-----------------------|-----|-----|----------|-------------|-----|
| 1 | 4165610 | LABEL-WARNING | 1 | | | | |
| 2 | 4165931 | MAT-FOOTPLT LOWER | 1 | | | | |
| 3 | 4167087 | MAT-FOOTPLT UPPER RH | 1 | | | | |
| 4 | 4167088 | MAT-FOOTPLT UPPER LH | 1 | | | | |
| 5 | 4178634 | LABEL-LARGE CAT | 1 | | | | |
| 6 | 4178922 | LABEL-CONTROL PANEL | 1 | | | | |
| 7 | 4169639 | LABEL-HOC | 1 | | | | |
| 8 | 4177522 | LABEL-DECK LIFT | 1 | | | | |
| 9 | 4167203 | LABEL-PARKING BRAKE | 1 | | | | |
| 10 | 4165616 | LABEL-LH TRACTION | 1 | | | | |
| 11 | 4165615 | LABEL-RH TRACTION | 1 | | | | |
| 12 | 4168517 | LABEL-MANUAL LOCATION | 1 | | | | |
| 13 | 2000590 | LABEL-WARN BATTERY | 1 | | | | |
| 14 | 4164269 | LABEL-DANGER/WARNING | 1 | | | | |
| 15 | 2000577 | LABEL, WARNING | 3 | | | | |
| 16 | 4178563 | MAT-DECK STEP | 1 | | | | |
| 17 | 4176807 | LABEL-PROP 65 | 1 | | | | |

DECALS

FIGURE 17



DECALS

FIGURE 17

| ITM | PART NO. | DESCRIPTION | QTY | ITM | PART NO. | DESCRIPTION | QTY |
|-----|----------|---|-----|-----|----------|-------------|-----|
| 1 | 4178886 | LABEL-ZT2000 MODEL | 1 | | | | |
| 2 | 4178922 | LABEL-CONTROL PANEL | 1 | | | | |
| 2 | 2000570 | LABEL-WARN FUEL PICT. | 2 | | | | |
| 3 | 4162914 | LABEL-DECK SIZE 48" | 1 | | | | |
| | 4162915 | LABEL-DECK SIZE 52" | | | | | |
| | 4162913 | LABEL-DECK SIZE 42" | | | | | |
| 4 | 4178634 | LABEL-LARGE CAT | 1 | | | | |
| 5 | 4169639 | LABEL-HOC | 1 | | | | |
| 6 | 4179349 | LABEL-TUFDECK | 1 | | | | |
| 7 | 2000570 | LABEL-WARN FUEL PICT | 1 | | | | |
| 8 | 4178890 | LABEL-FUEL TANK, RH SML | 1 | | | | |
| 9 | 4178891 | LABEL-FUEL TANK, LH SML | 1 | | | | |
| 10 | 4178637 | LABEL-BOBCAT, 15X3 | 1 | | | | |
| 11 | 4168517 | LABEL-MANUAL LOCATION | 1 | | | | |
| 12 | 4177522 | LABEL-DECK LIFT | 1 | | | | |
| 13 | 4178563 | MAT-DECK STEP | 1 | | | | |
| 14 | 4167203 | LABEL-PARKING BRAKE | 1 | | | | |
| 15 | 4165615 | LABEL-RH TRACTION | 1 | | | | |
| 16 | 4165616 | LABEL-LH TRACTION | 1 | | | | |
| 17 | 4171663 | LABEL BELT DIAGRAM (LOCATED ON BOTTOM OF SEAT PLATE) | 1 | | | | |
| 18 | 2000590 | LABEL-WARN BATTERY | 1 | | | | |

Bobcat® and the Bobcat logo are trademarks of Bobcat Company in the United States and various other countries.

**BOBCAT COMPANY
ONE BOBCAT LANE
P.O. BOX 469
JOHNSON CREEK, WI 53038
920-699-2000
www.Bobcat.com**

2022© Bobcat Company. All rights reserved.