

# Masport®

## PRESIDENT MOWERS

### SERIES 18

Part Number

565791

Model

1500ST COMBO Instart 19

Engine

B&S Series 550ISI

Month and Year of First Manufacture: October 2019

From Serial Number: 8410129

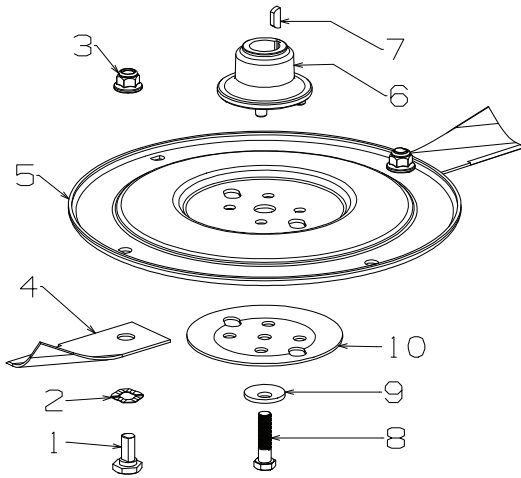


Spares Version

Issue B.0  
Aug 2021 PB  
ECN # 04246  
IPL Ref # 765791



## 460mm Disc Blade- Flat Assembly

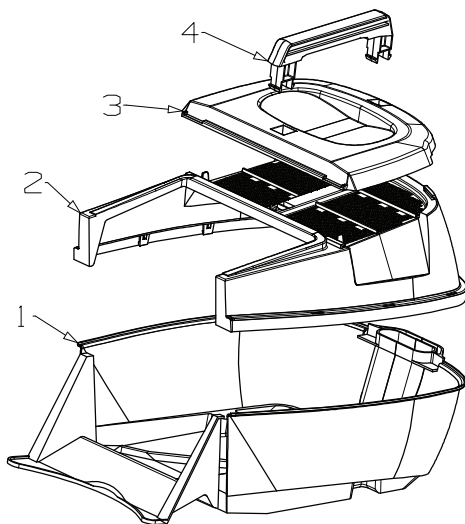


Item	Part No	Description	Qty
1	581707	Bolt- Pivot M10 x 22	2
2	580693	Washer, Wavy 13.4 x 24.2	2
3	503672	Nut, M10 Hex Nyloc Flange	2
4	529150	Blade- Swing Back, 460mm	2
5	980082	Disc Blade- Flat	1
6	567143	Driver- Blade, 22mm"	1
7	500636	Key, Woodruff, 5/8 x 5/32 x 1/4	1
8	503543	Bolt; Hex NF 3/8 x 1.5 NYG8	1
9	502297	Washer- Belleville 10 x 30 x 3	1
10	567332	Plate- Stiffener, Disc Blade Assy	1

### Blade (Flat) & Bolt Sets

- 783690 Bolt Set (2)  
 Includes Items: 1, 2, 3
- 783455 Blade- Swing Back, 460 (2per)  
 Includes Items: 2 x 1, 2, 3, 4

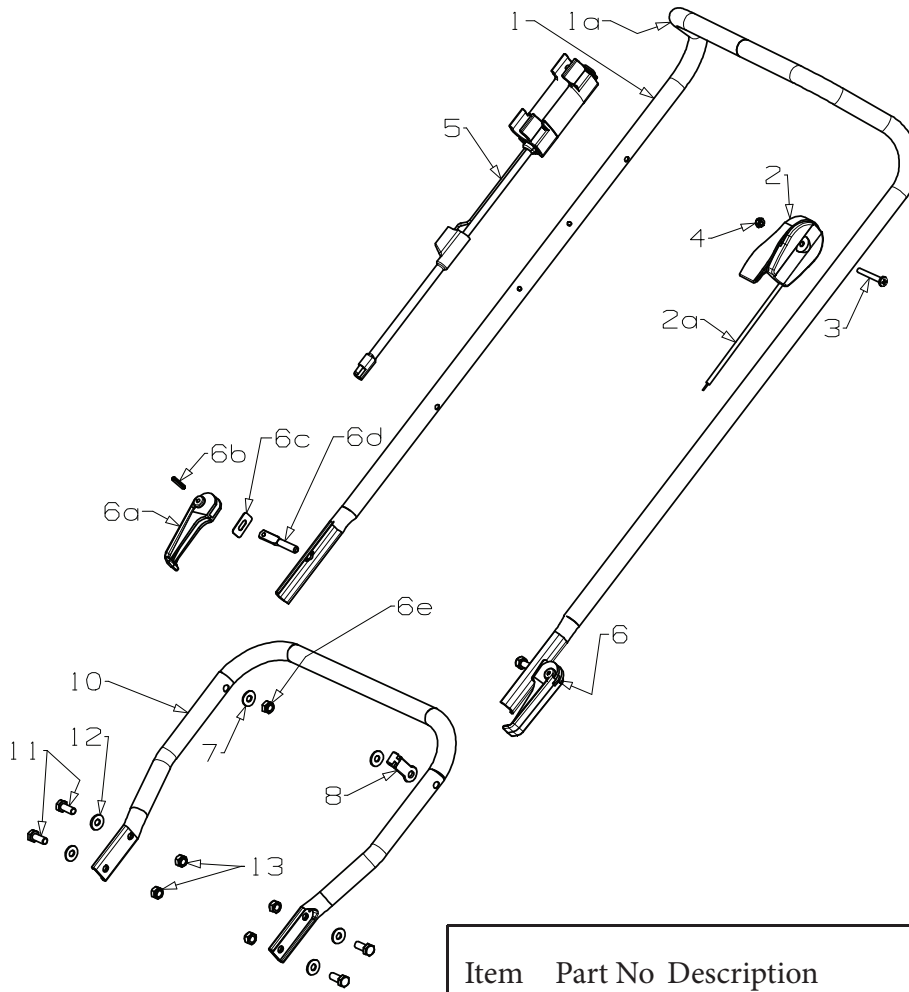
## Catcher Assembly- 18" Masport Black



Item	Part No	Description	Qty
1	583295	Catcher- Bottom, 18" Brand Black	1
2	579117	Catcher- Top, 18" Black	1
3	580674	Catcher- Lid, 18" Black	1
4	580673	Catcher- Handle	1

### Replacement Catcher Assembly Options

- 980670 Catcher Assy Black 18" with Unbranded Base
- 783006 Catcher Assy (Branded) 18" with "Grass Full Indicator" & Black Base



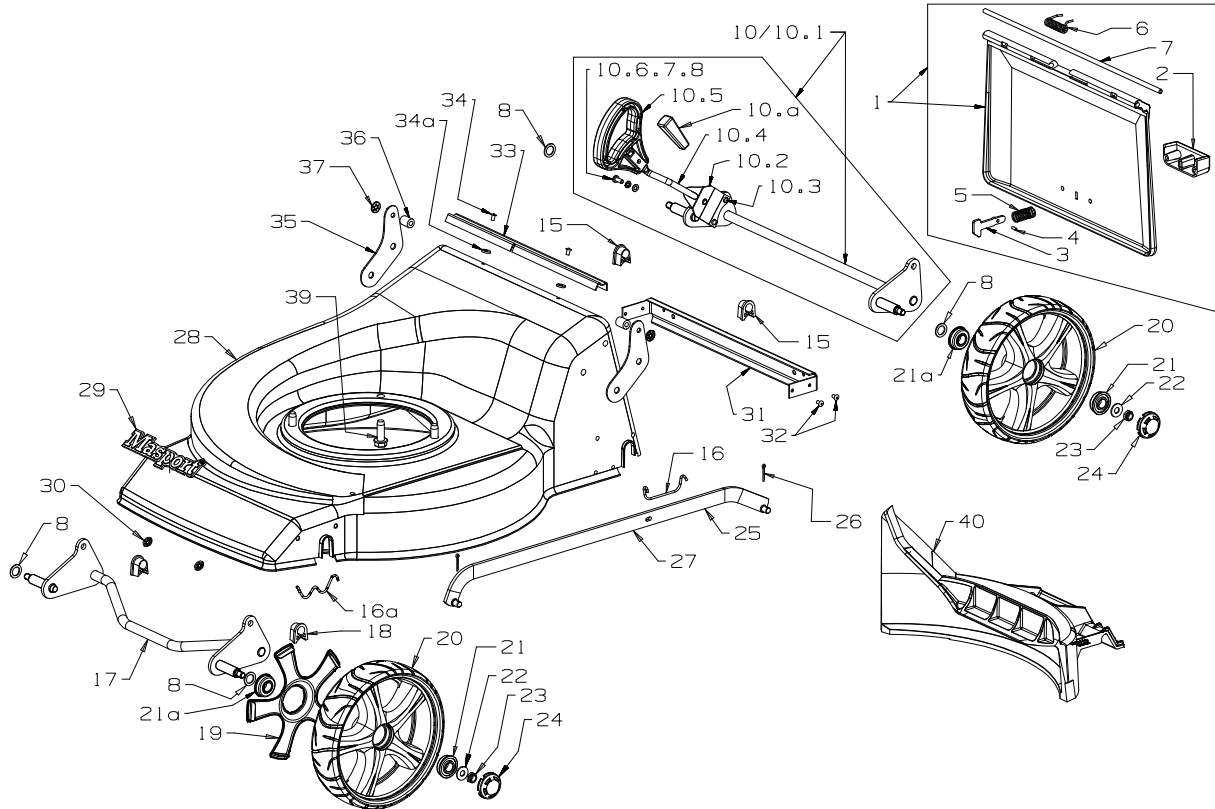
Not Illustrated				Item	Part No	Description	Qty
				1/1a	767032	Handle & Sleeve E/S SFT/BLK	1
				2/2a	583458	<b>Throttle Ctrl &amp; Cable, Wescon</b>	1
				3	503604	*Screw, Pan M6 x 45	1
				4	501764	*Nut, M6 Hex Nyloc x 6mm thick	1
				5	574155	Switch- Eng, Instart Push Button	1
				6	980456	<b>Cam Lock Assy (1 per)</b>	2
				6a	580313	*Lever- Handle Locking	1
				6b	503369	*Pin, Tension 5.0 x 22	1
				6c	016777	*Washer- Slipper S/S	1
				6d	583041	*Stud- Handle Lock, 61mm	1
				6e	501793	*Nut, M8 Hex Nyloc x 8mm thick	1
				7	501606	Washer, Flat 8 x 19 x 1.6	2
				8	581527	Retainer- Clutch Cable	1
				10	981257	Handle- Lower, "U", 18" Black	1
				11	501597	Screw, Set M8 x 20	4
				12	501606	Washer, Flat 8 x 19 x 1.6	4
				13	501793	Nut, M8 Hex Nyloc x 8mm thick	4
503054	Tie- Nylon Cable, Black	4					
564656	Decal, HSG Pres 1500	1					
579414	Decal, Noise MAS Sil 75db	1					
581180	Instruct, Catcher Assy	1					
582049	Decal, Flap Caution	1					
582062	Decal, Height Combo	1					
583152	Owner Manual, Masport	1					
80079871	Charger- Battery, W16 INS NZ	1					



565791 Ser 18  
Pres 1500ST CO INS 19  
Spares Version

# Masport®

Issue B.0  
Aug 2021 PB  
ECN # 04246  
IPL Ref # 765791



Item	Part No	Description	Qty	Item	Part No	Description	Qty
1	764242	<b>Flap Assy- Plastic, Latched</b>	1	20	573703	Wheel Assy-200mm, Mag Black (Includes 2 x 551212 per Wheel)	4
2	580602	*Handle - Flap	1	21	551212	Bearing- Wheel, Ball	4
3	981650	*Latch- Flap, Barbed	1	21a	579694	Bearing- Wheel	4
4	502019	*Pin, Tension 3.0 x 8	1	22	501606	Washer, Flat 8 x 19 x 1.6	4
5	581106	*Spring- Latch, Flap	1	23	503831	Nut, M8 Hex Nyloc x 6mm thick	4
6	581349	*Spring- Flap	1	24	583397	Hub Cap- Button, Mag Black	4
7	779732	*Wire- Flap Pivot 6mm x 377mm	1	25	571030	Rod Assy- Connecting, 175mm	1
8	503301	Washer; Flat 1/2 x 3/4 x 18g	4	26	501056	Pin, Cotter 2.3dia x 16	2
10	783256	<b>Axle Assy- Rear, Complete MSV</b>	1	27	581463	Spring- Counter Balance	1
10a	580056	*Knob- Height Selector(SQ Knob) (Above axle has been replaced by axle 768796)	1	28	764650	<b>Hsg- Stl 18", ODSQ CO HGRN</b>	1
10.1	768796	<b>Axle Assy- Rear Comp, V2</b>	1	29	581240	*Nameplate- MASPORT	1
10.2	580649	*Spring- Leaf	1	30	503150	*Clip- Starlock, 5 dia	2
10.3	503373	*Rivet- F/HD 3/16 x 27/64"	3	31	980608	*Brace- Rear, 3/4/600	1
10.4	568770	*Rod- Height Selector, 18/21 V2	1	32	581369	*Rivet- Pop 4.0 dia x 3.2 73SS5-24	1
10.5	568771	*Handle- Height Lever, Adjust V2	1	33	583151	Dust Seal-Flap	1
10.6	501059	*Screw, Pan M5 x 12 POZ	1	34	581369	Rivet- Pop 4.0 dia x 3.2 73SS5-2	2
10.7	501765	*Washer, SPG 5	1	34a	502170	Washer, Nylon 5 x 12 x 2.0	2
10.8	501330	*Washer, Flat 5 x 10 x 1.0	1	35	567585	Bracket- Flap	2
15	580668	Bush- Pivot, Rear Axle	2	36	579733	Spacer- Flap	2
16	579292	Retainer- Axle, Rear, Steel Deck	2	37	503574	Clip- Starlock, 6mm dia	2
16a	529674	Retainer- Axle W, Front	2	39	580453	Screw, S/T 3/8 x 1-1/8 UNC	3
17	983281	Axle Assy- Front, 200mm	1	40	583173	Insert- Mulching, 18" STL	1
18	580030	Bush- Pivot, Front Axle	2				
19	583398	Cover- Inner Wheel, Black	2				

When ordering spares: PLEASE QUOTE PART NUMBER & DESCRIPTION, NOT illustrated number. Item Qty = 1 per part unless stated differently.  
**BOLD TEXT** = Assemblies. Descriptions starting with \* = items included in the assemblies & may not be available as a spares item.  
 Determine the left or right hand sides by standing in the operating position (standing at the handle).